

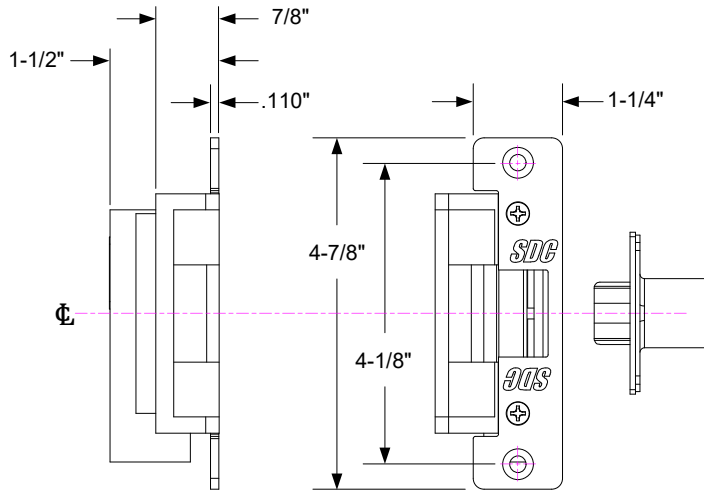


# INSTALLATION INSTRUCTIONS

## 15 SERIES ELECTRIC STRIKE

SDC's 15 series value 5/8" latchbolt electric strikes are centerline latch entry strikes designed for use with cylindrical locksets and metal frames. 15 series strikes accept 5/8" throw latchbolts with 1/8" door gap.

### Electric Strike Dimensions



Centerline latch entry strikes require the latch to enter at the strike "centerline" located exactly between the top and bottom of the strike faceplate.  
\*(Latch Not Provided with Electric Strike).

### Electrical Data

#### Fail-Safe / Fail-Secure

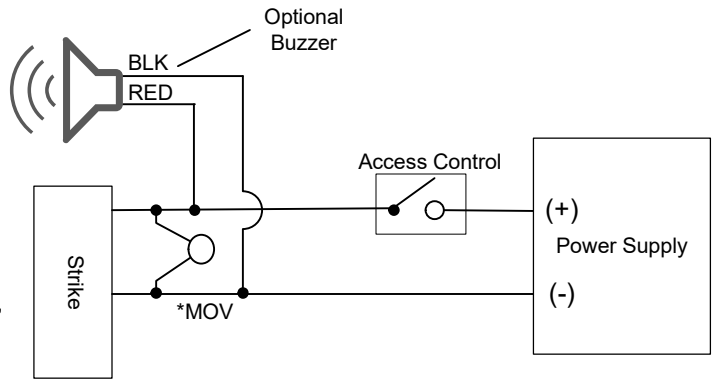
200mA @ 12VDC

150mA @ 24VDC

#### RMB Buzzer Option

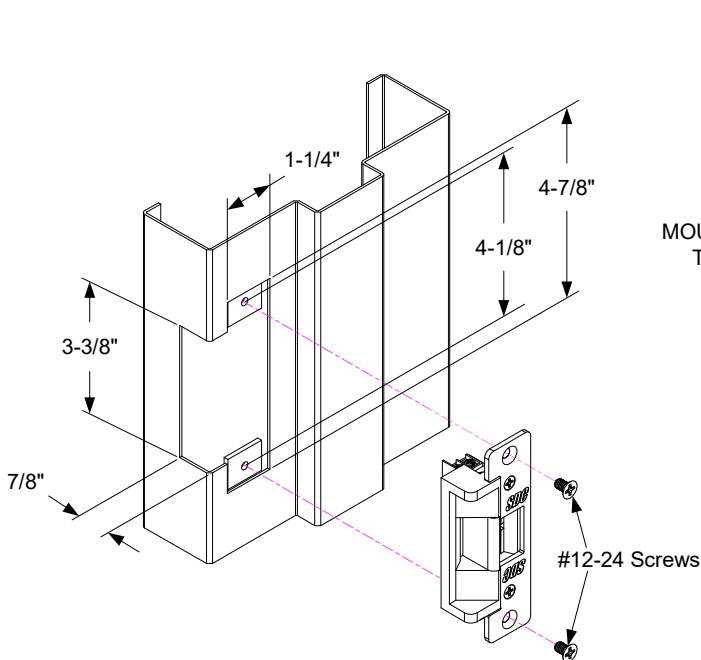
12/24VDC @ 10/20mA

### WIRE DIAGRAM

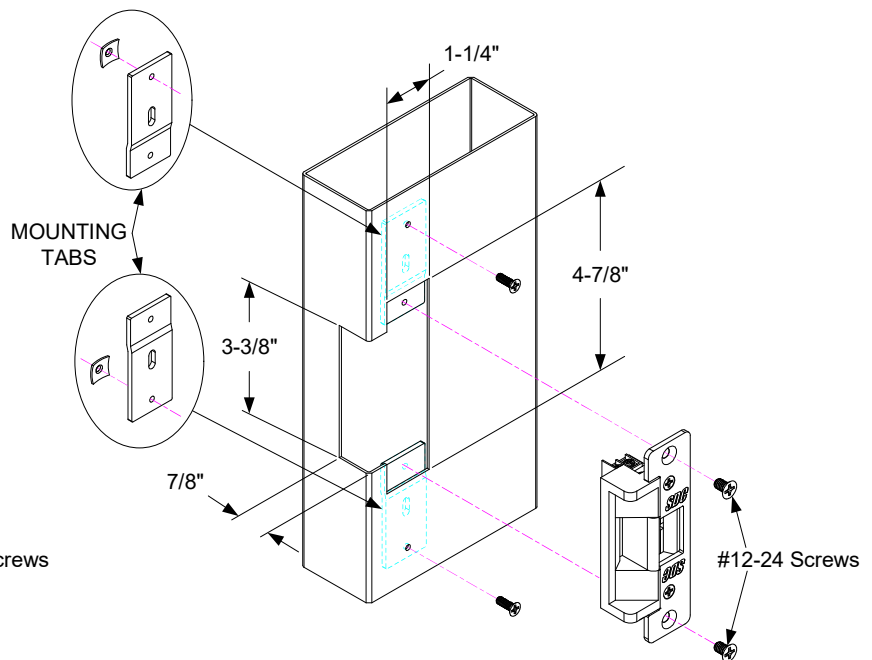


\*Install MOV close to the electric strike

### Electric Strike in Metal Frame with preexisting Mounting Tabs



### Retrofit Mounting Tabs & Electric Strike in Metal Frame



Any suggestions or comments to this instruction or product are welcome. Please contact us through our website or email engineer@sdsecurity.com