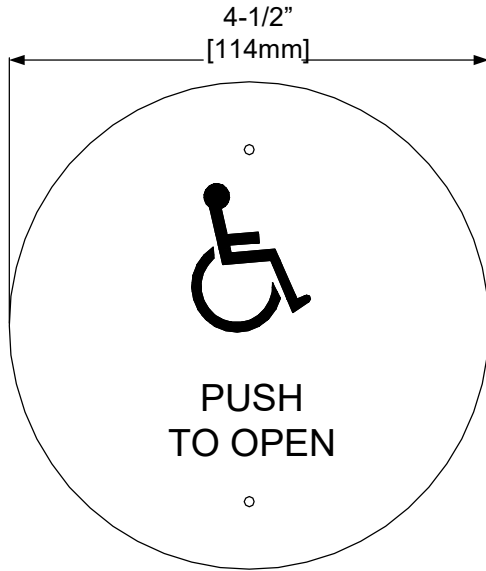


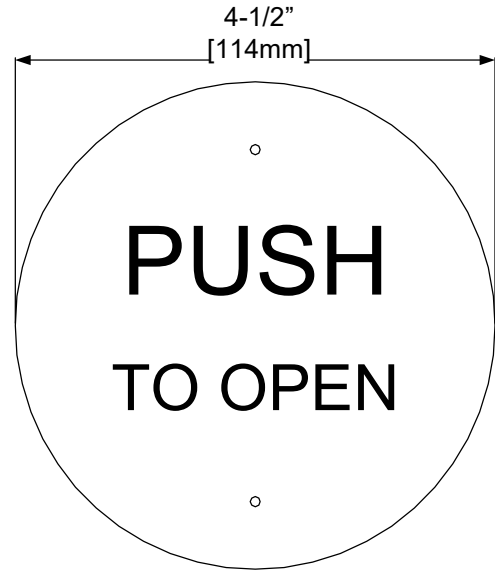


# INSTALLATION INSTRUCTIONS

## 480-4R 4-1/2" ROUND PUSH PLATE SPDT SWITCH 482A4RU / 482O4RU



**482A4RU**

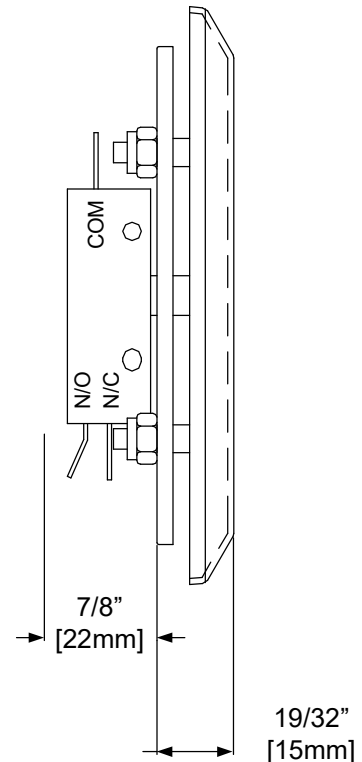


**482O4RU**

### Specification:

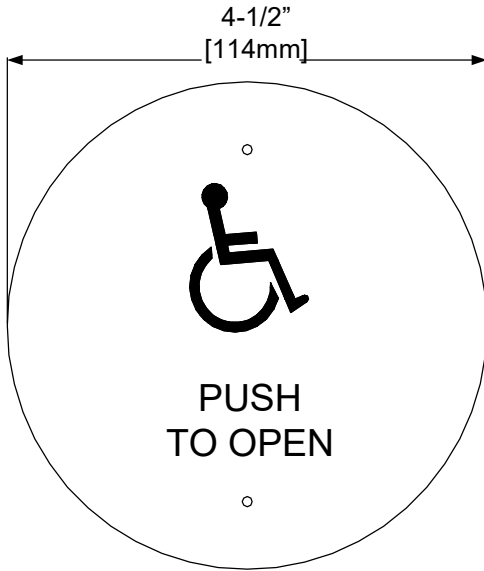
- Physical Size: 4-1/2" Dia x 1-7/16"
- Contact Type: SPDT - Momentary
- Contact Rating: 2 Amp @ 48 VDC  
15 Amp @ 125/250 VAC

\*Switch mounts to a standard Single Gang (2" x 4") electrical box.

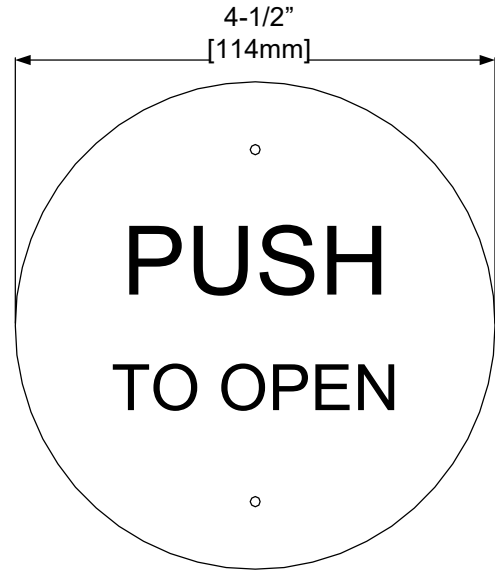




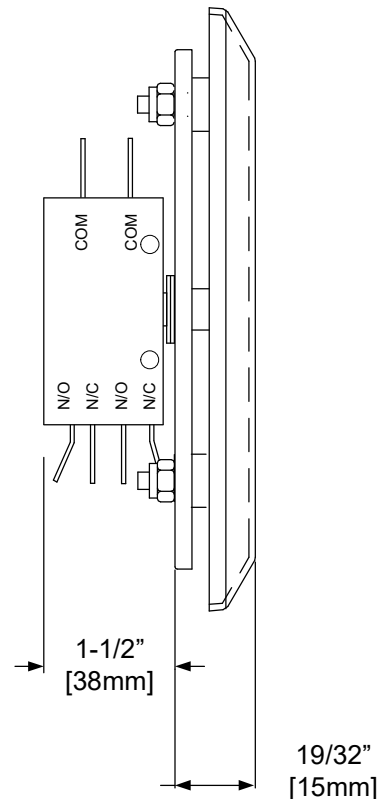
### 4-1/2" ROUND PUSH PLATE DPDT SWITCH 484A4RU / 484O4RU



**484A4RU**



**484O4RU**



#### **Specification:**

- Physical Size: 4-1/2" Dia x 2-1/16"
- Contact Type: DPDT - Momentary
- Contact Rating: 2 Amp @ 48 VDC  
15 Amp @ 125/250 VAC

\*Switch mounts to a standard Single Gang (2" x 4") electrical box.

Any suggestions or comments to this instruction or product are welcome. Please contact us through our website or email [engineer@sdsecurity.com](mailto:engineer@sdsecurity.com)