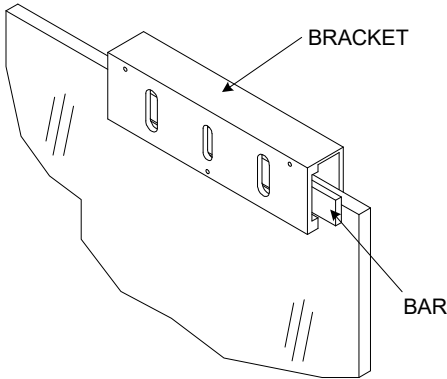




INSTALLATION INSTRUCTIONS

HDB1V GLASS DOOR MOUNTING KIT

STEP 1



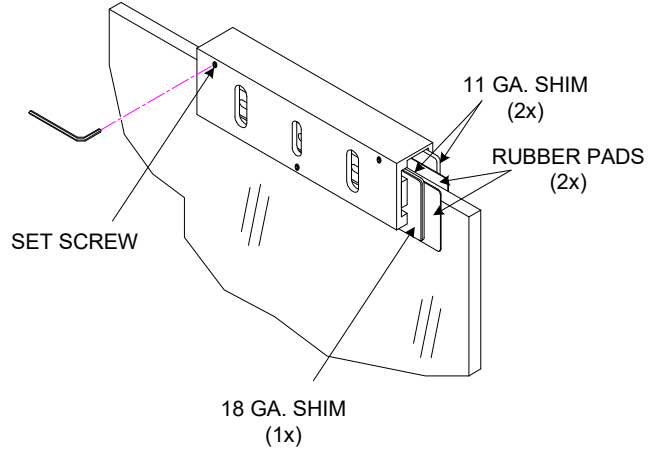
INSTALL BRACKET AND BAR TO GLASS DOOR

FOR 3/8" & 1/2" GLASS DOORS: PLACE RUBBER PAD & 11 GA. SHIMS ON BOTH SIDES. PLACE 18 GA. SHIM ON SET SCREW SIDE.

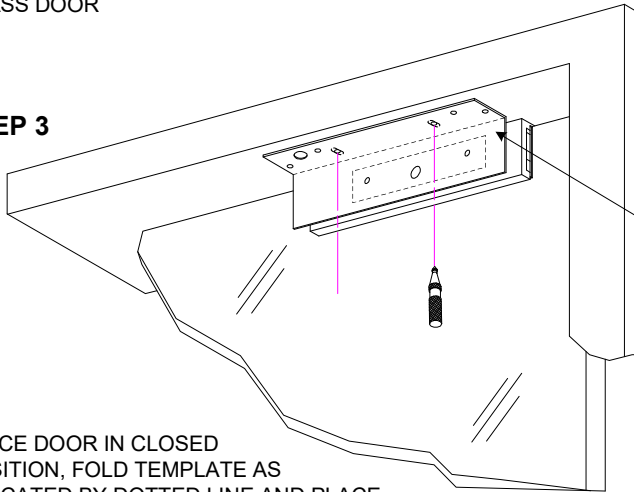
FOR 5/8" GLASS DOORS: PLACE RUBBER PAD ON BOTH SIDES (1) 11GA. SHIM & (1) 18 GA. SHIM ON EACH SIDES OF BRACKET.

STEP 2

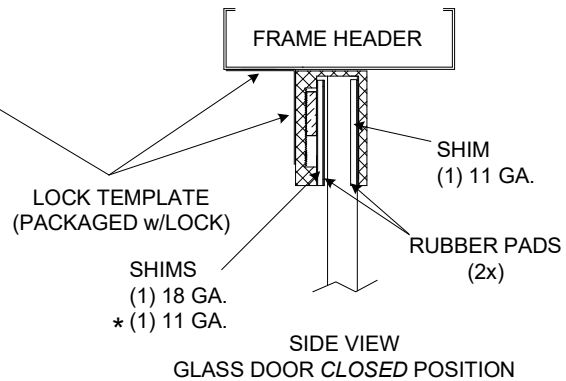
SECURE SET SCREWS WITH THE PROVIDED ALLEN WRENCH



STEP 3

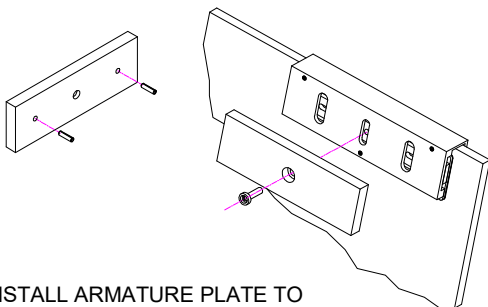


PLACE DOOR IN CLOSED POSITION, FOLD TEMPLATE AS INDICATED BY DOTTED LINE AND PLACE TEMPLATE AGAINST FRAME HEADER AND BRACKET THEN MARK AND DRILL AS INDICATED.



* For 5/8" Glass doors remove (1) 11 GA. shim

STEP 4



INSTALL ARMATURE PLATE TO BRACKET

STEP 5

ADJUST BAR (SEE STEP 1) ADJUST ARMATURE PLATE AS NEEDED FOR PROPER ALIGNMENT BETWEEN ARMATURE PLATE AND EMLOCK SURFACE.

