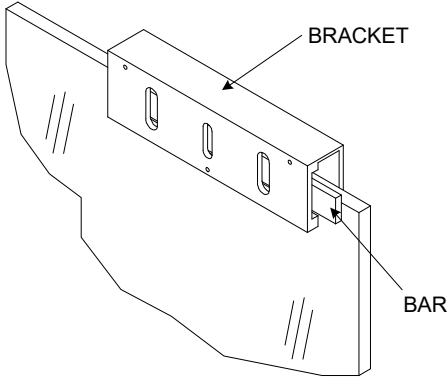




INSTALLATION INSTRUCTIONS

HDB2V GLASS DOOR MOUNTING KIT

STEP 1



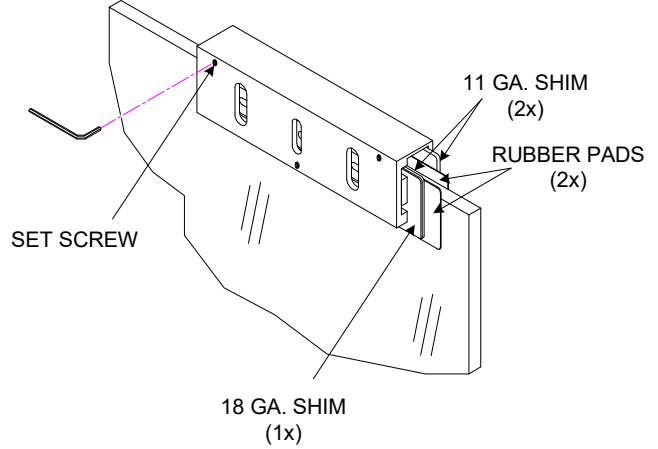
INSTALL BRACKET AND BAR TO GLASS DOOR

FOR 3/8" & 1/2" GLASS DOORS: PLACE RUBBER PAD & 11 GA. SHIMS ON BOTH SIDES. PLACE 18 GA. SHIM ON SET SCREW SIDE.

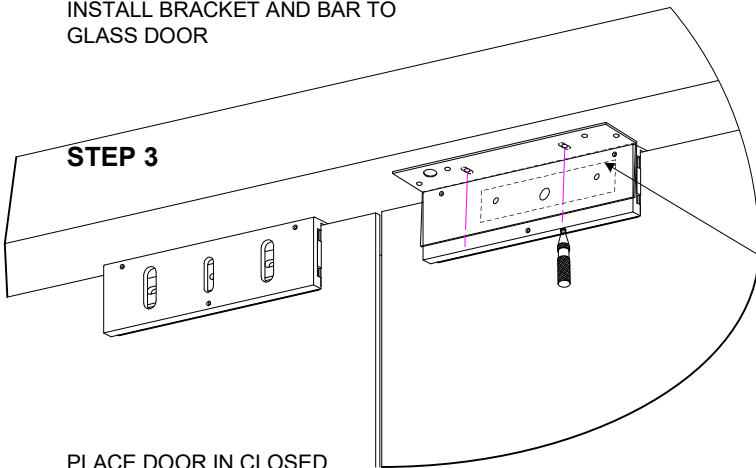
FOR 5/8" GLASS DOORS: PLACE RUBBER PAD ON BOTH SIDES (1) 11GA. SHIM & (1) 18 GA. SHIM ON EACH SIDES OF BRACKET.

STEP 2

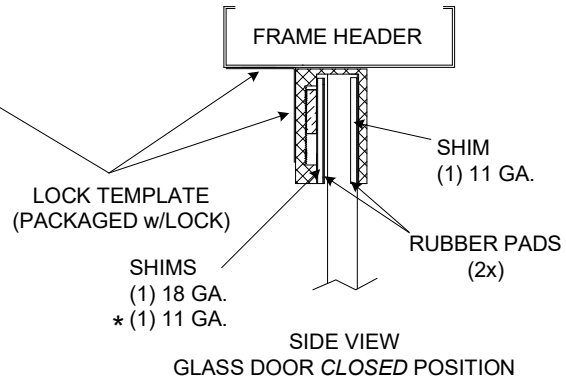
SECURE SET SCREWS WITH THE PROVIDED ALLEN WRENCH



STEP 3

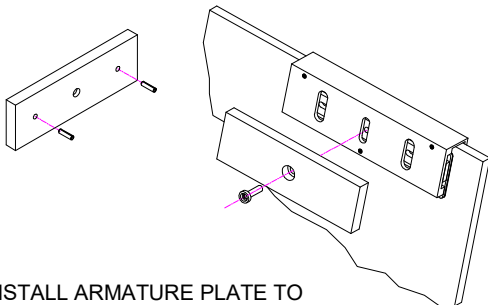


PLACE DOOR IN CLOSED POSITION, FOLD TEMPLATE AS INDICATED BY DOTTED LINE AND PLACE TEMPLATE AGAINST FRAME HEADER AND BRACKET THEN MARK AND DRILL AS INDICATED REPEAT TO BOTH SIDES OF DOORS.



* For 5/8" Glass doors remove (1) 11 GA. shim

STEP 4



INSTALL ARMATURE PLATE TO BRACKET

STEP 5

ADJUST BAR (SEE STEP 1) ADJUST ARMATURE PLATE AS NEEDED FOR PROPER ALIGNMENT BETWEEN ARMATURE PLATE AND EMLOCK SURFACE.

