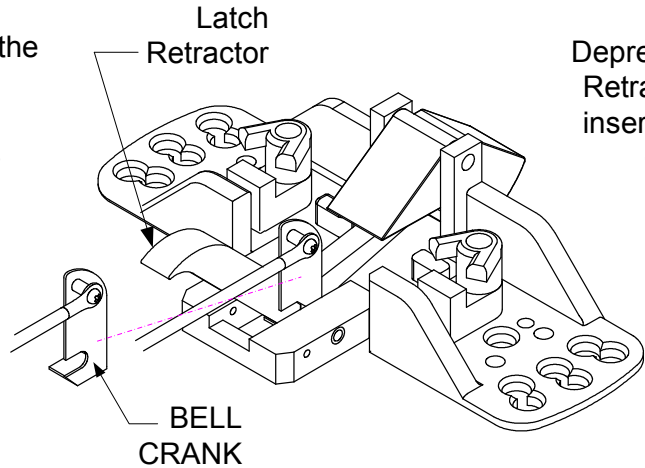


# SDC Security Door Controls

801 Avenida Acaso, Camarillo, Ca. 93012 • (805) 494-0622 •  
www.sdcsecurity.com • E-mail: service@sdsecurity.com

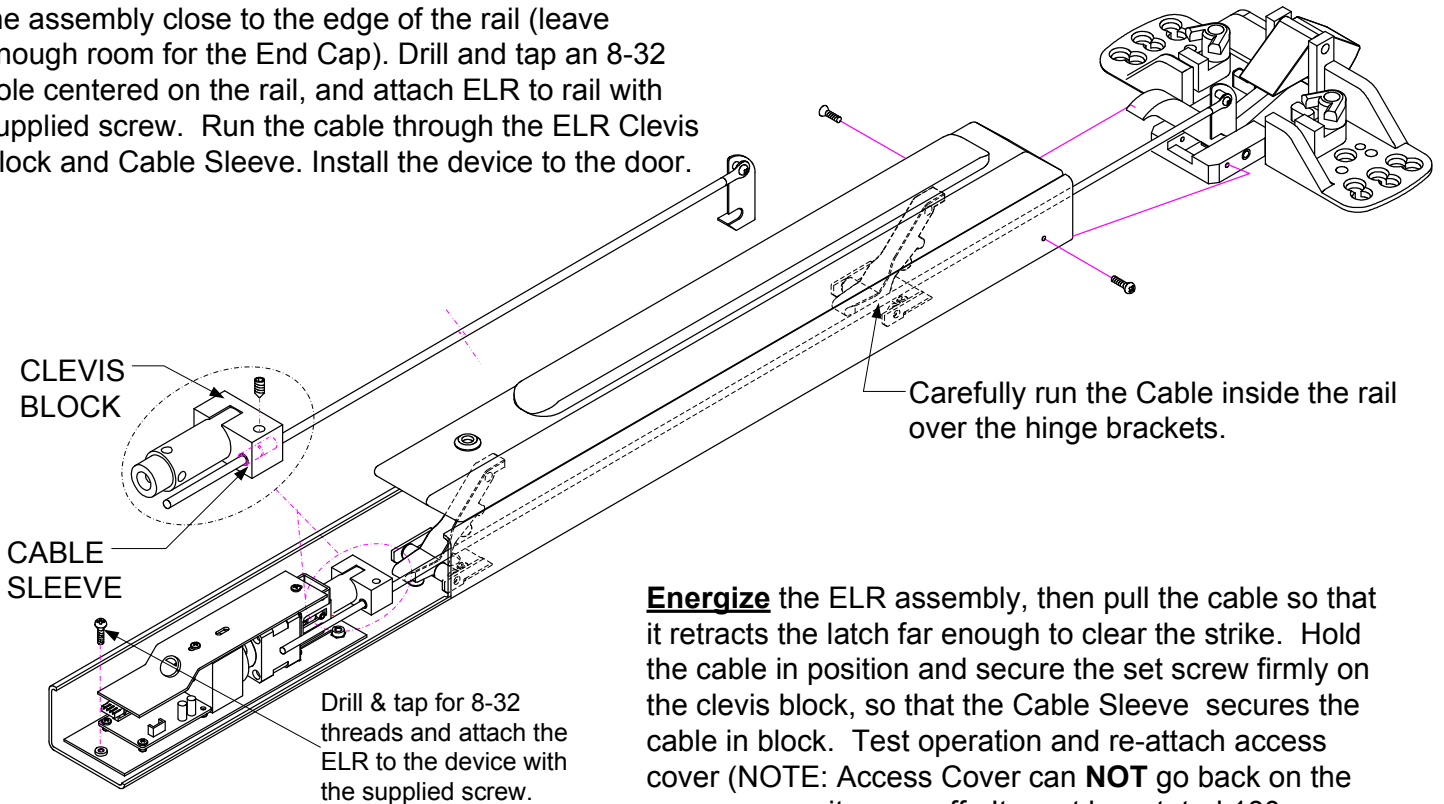
## INSTALLATION INSTRUCTIONS IP100SGK ELECTRIC LATCH RETRACTION DEVICE KIT SARGENT MODELS: 8500, 8700 & 8800

Remove the Head Assembly from the device. Carefully run the Cable inside the rail over the hinge brackets. Attach the Bell Crank as shown. Re-install the Head Assembly to the device. Remove access cover and attach the ELR assembly as described below.



Depress Latch Retractor and insert the Bell Crank as shown.

Mount the ELR assembly in the device by positioning the assembly close to the edge of the rail (leave enough room for the End Cap). Drill and tap an 8-32 hole centered on the rail, and attach ELR to rail with supplied screw. Run the cable through the ELR Clevis Block and Cable Sleeve. Install the device to the door.



**Energize** the ELR assembly, then pull the cable so that it retracts the latch far enough to clear the strike. Hold the cable in position and secure the set screw firmly on the clevis block, so that the Cable Sleeve secures the cable in block. Test operation and re-attach access cover (NOTE: Access Cover can **NOT** go back on the same way as it came off. It must be rotated 180 degrees).

**ELECTRICAL DATA**  
12VDC @ 700/110mA  
RED (+) BLK (-)  
PATENT #8,851,530

Any suggestions or comments to this instruction or product are welcome. Please contact us through our website or email engineer@sdsecurity.com