



INSTALLATION INSTRUCTIONS

LR100CRK

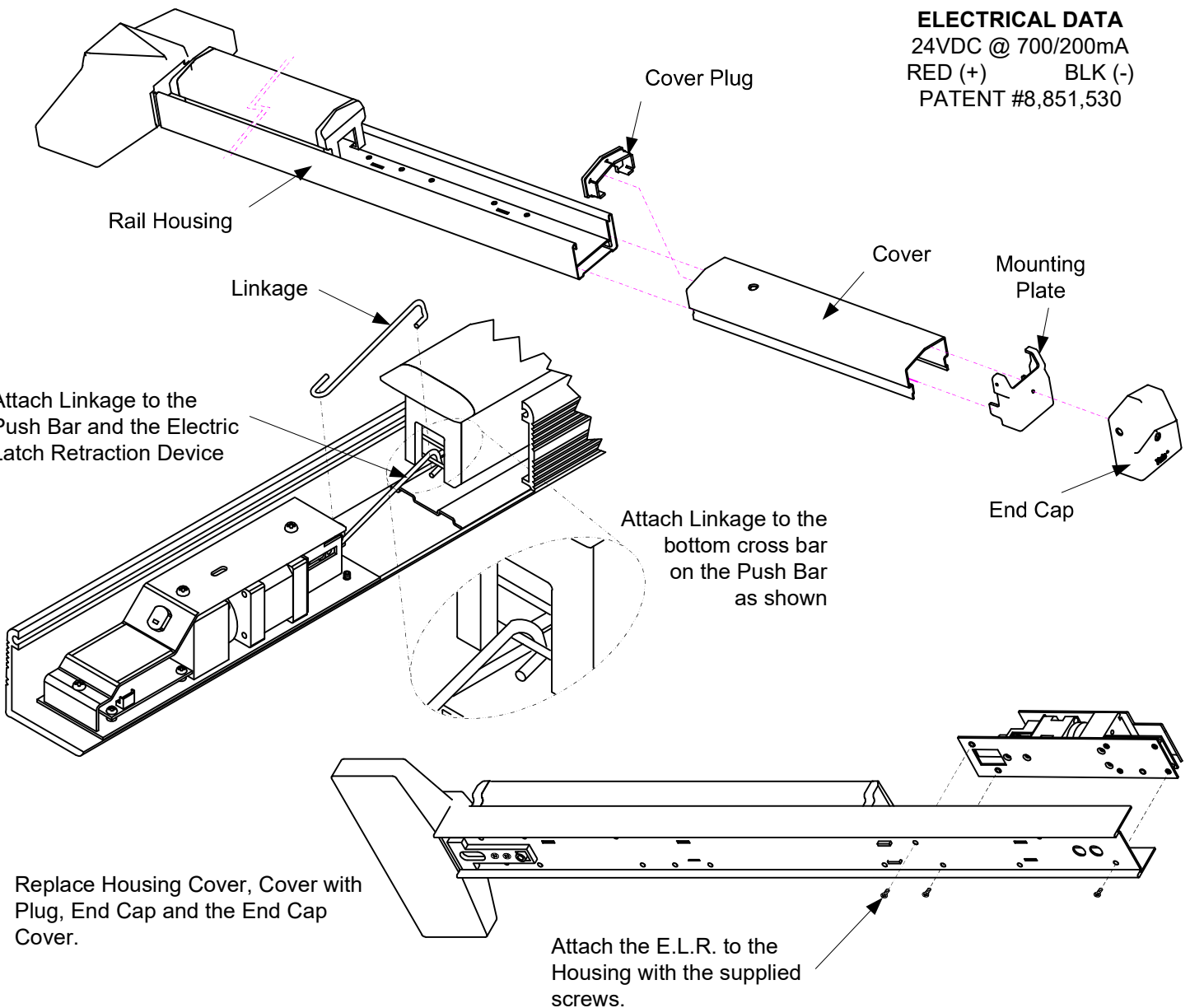
CORBIN / RUSSWIN ELECTRIC LATCH RETRACTION KIT

MODELS: ED4200, ED4800, ED5200, ED5400 & ED5800

Retrofit Installation Note: 42" or 48" exit devices that have been modified to fit a 36" or smaller opening, may not have the required space to fit the standard E. L. R. assembly. Always verify the distance from the end of the touchpad to the end rail, and if necessary, consult with the factory for appropriate selection.

Remove the End Cap, Mounting Plate, Cover, Cover Plug, Rail Housing and Dogging.

ELECTRICAL DATA
24VDC @ 700/200mA
RED (+) BLK (-)
PATENT #8,851,530



When retrofitting to existing vertical rod devices, adjustment of the rods is required for proper operation of the Electric Latch Retractor. Once the unit is properly installed, energize it so the latch is dogged down, then reconnect the vertical rods to the device and make the proper adjustments.

Any suggestions or comments to this instruction or product are welcome. Please contact us through our website or email engineer@sdsecurity.com