



# INSTALLATION INSTRUCTIONS

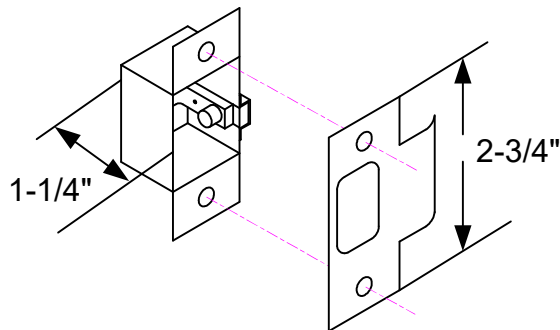
## MS SERIES MONITOR STRIKES

Utilizing the pre-existing lock strike opening, the SDC mechanism takes the place of the lock manufacturers dust box. Both the Cylindrical and Mortise type come with a SPDT that will fit in a 1-1/2" face frame. The DPDT requires a 1-3/4" min face frame. Cylindrical 2-3/4" and 4-7/8", Mortise 4-7/8" ANSI strikes

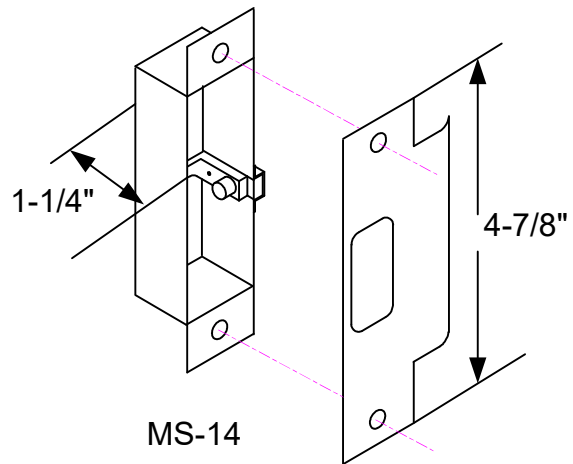
### Available Models:

|       |                                     |
|-------|-------------------------------------|
| MS-12 | Cylindrical Latch Monitor 2-3/4"    |
| MS-14 | Cylindrical Latch Monitor 4-7/8"    |
| MS-16 | Mortise Lock Latch Monitor          |
| MS-18 | Mortise Lock Dead Bolt Monitor      |
| MS-19 | Schlage Mortise Dead Bolt Monitor   |
| MS-20 | Mortise Lock Latch and Bolt Monitor |

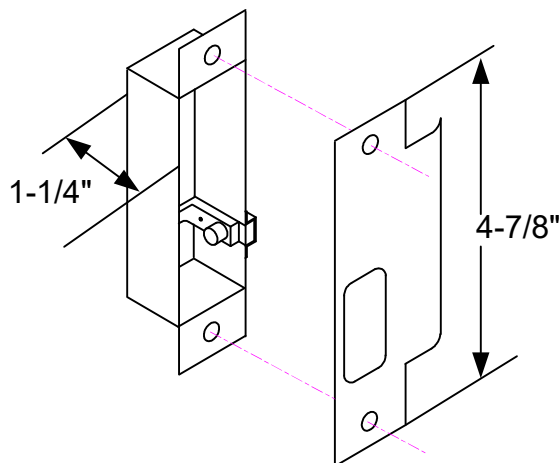
\*Suffix D indicates DPDT



MS-12

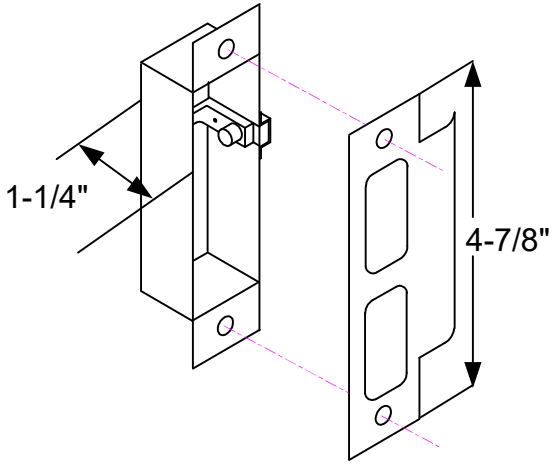


MS-14

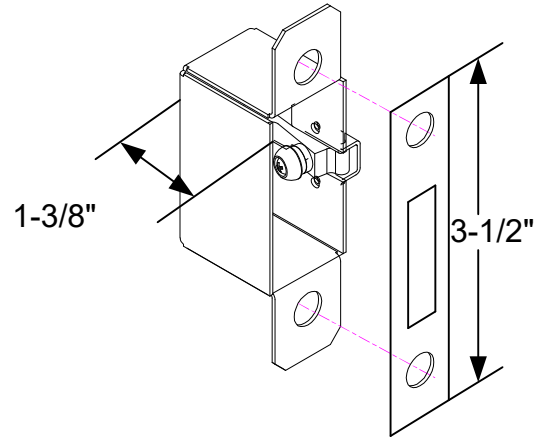


MS-16

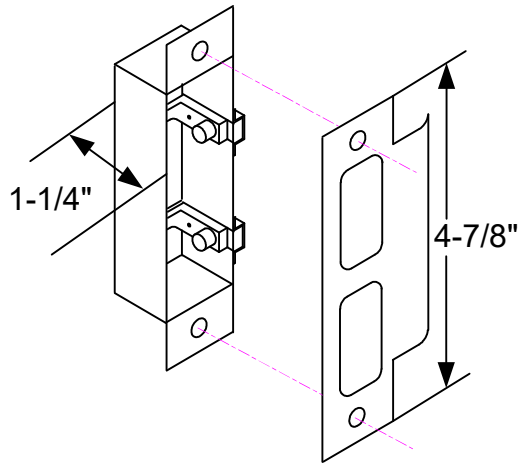
Any suggestions or comments to this instruction or product are welcome. Please contact us through our website or email [engineer@sdsecurity.com](mailto:engineer@sdsecurity.com)



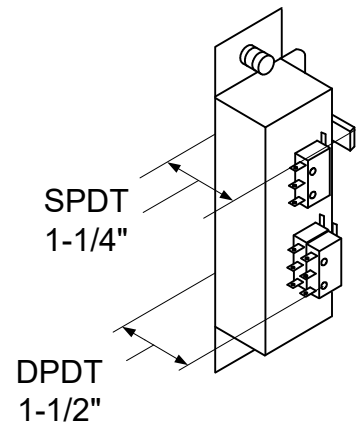
MS-18



MS-19

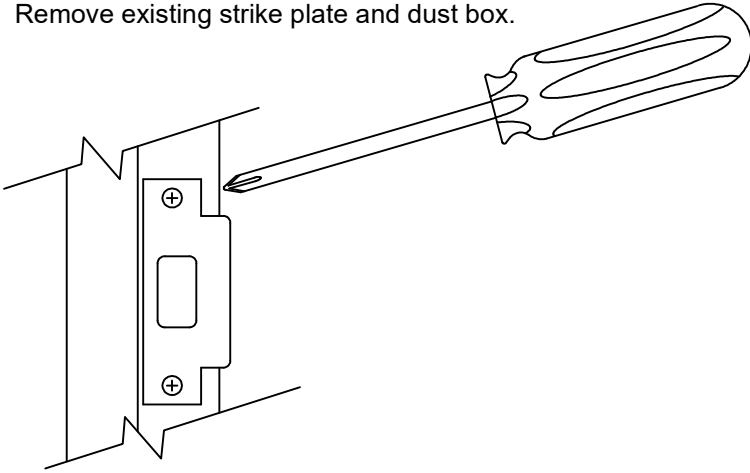


MS-20

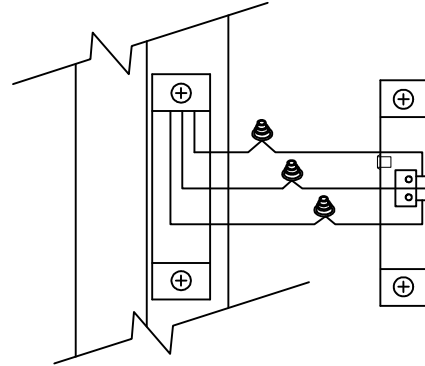




STEP 1:  
Remove existing strike plate and dust box.



STEP 2:  
Attach switch leads to monitor circuit.

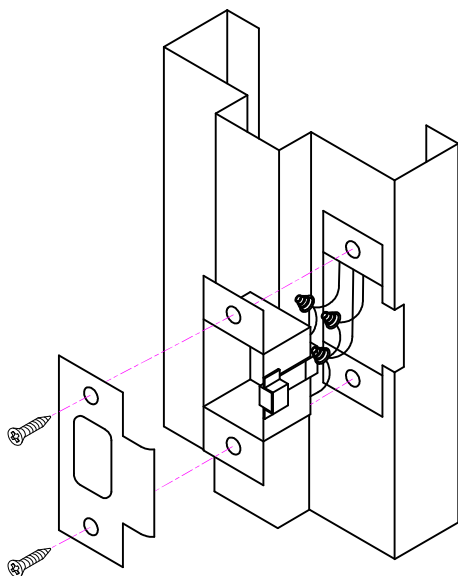


Switch Rating

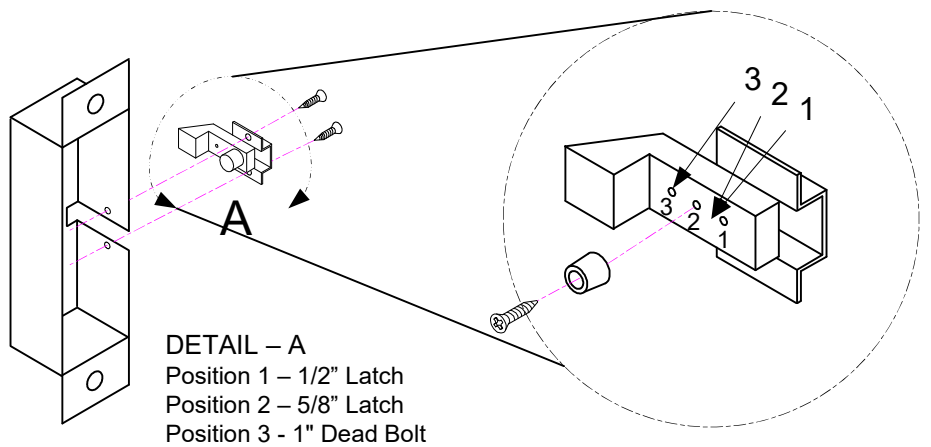
5amp @ 125VAC  
(Resistive)

| <u>SPDT</u> |     | <u>DPDT</u> |     |
|-------------|-----|-------------|-----|
| WHT:        | COM | WHT/BLK:    | COM |
| YEL:        | N/O | YEL/BLK:    | N/O |
| ORG:        | N/C | ORG/BLK:    | N/C |

STEP 3:  
Install monitor box assy.  
and reinstall existing  
strike plate.



STEP 4:  
Adjust accordingly if required



STEP 5:  
Once installed verify operation