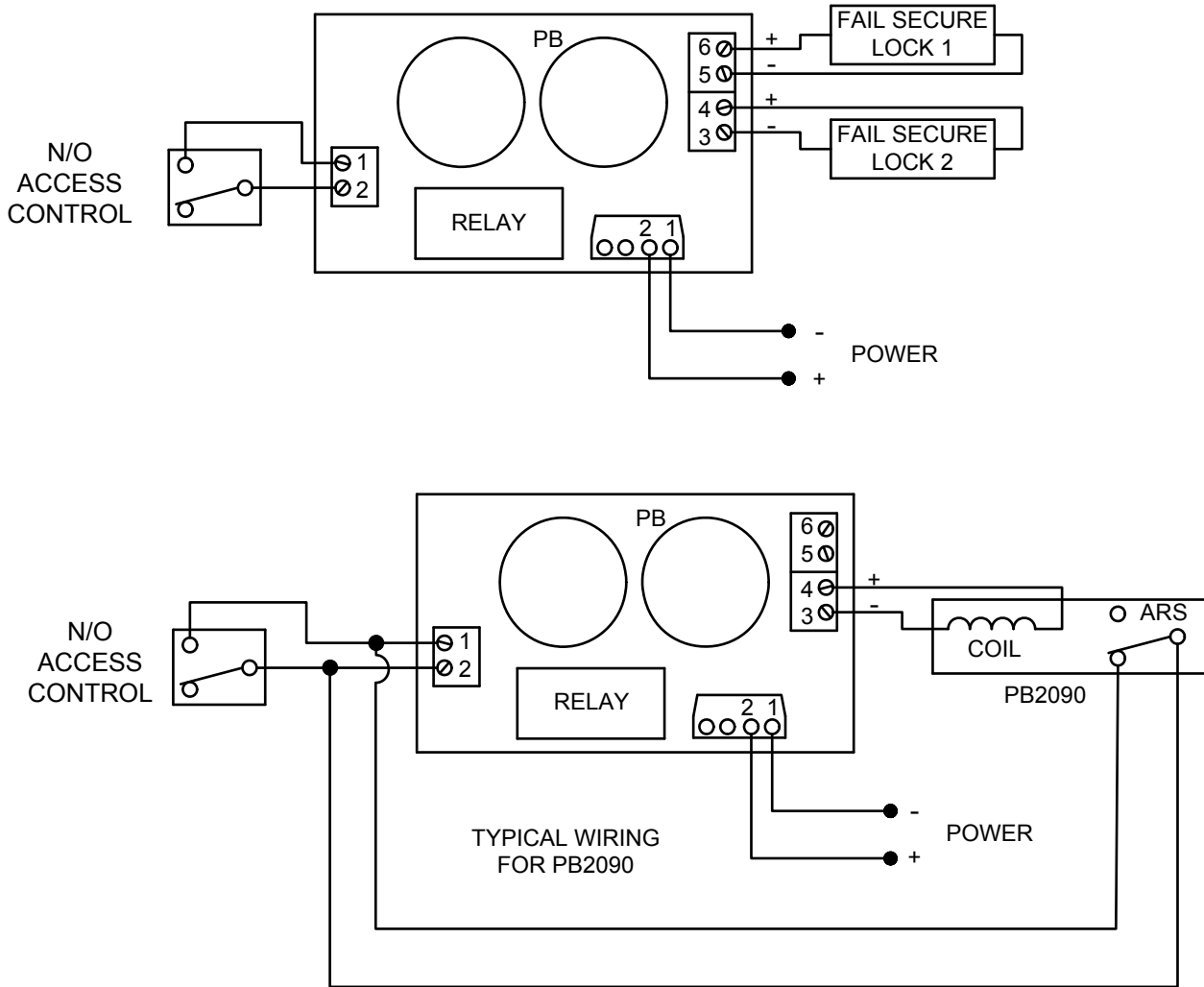


# SDC SECURITY DOOR CONTROLS

801 Avenida Acaso, Camarillo, Ca. 93012 • (805) 494-0622 • Fax: (805) 494-8861  
 www.sdcsecurity.com • E-mail: service@sdsecurity.com

## INSTALLATION WIRE DIAGRAM DOOR CONTROL MODULES PB-8 & PB-16



### POWER BOOSTER MODULES

1. Dry trigger input only
2. Both outputs are fail secure

#### PB-8

Power Booster for High Inrush Electric Panic Devices and Locks  
 1 Amp continuous @ 24 VDC, 8 Amp surge output.

#### PB-16

Power Booster for High Inrush Electric Panic Devices and Locks  
 a Amp continuous @ 24 VDC, 16 Amp surge output.

Any suggestions or comments to this instruction or product are welcome. Please contact us through our website or email engineer@sdsecurity.com