

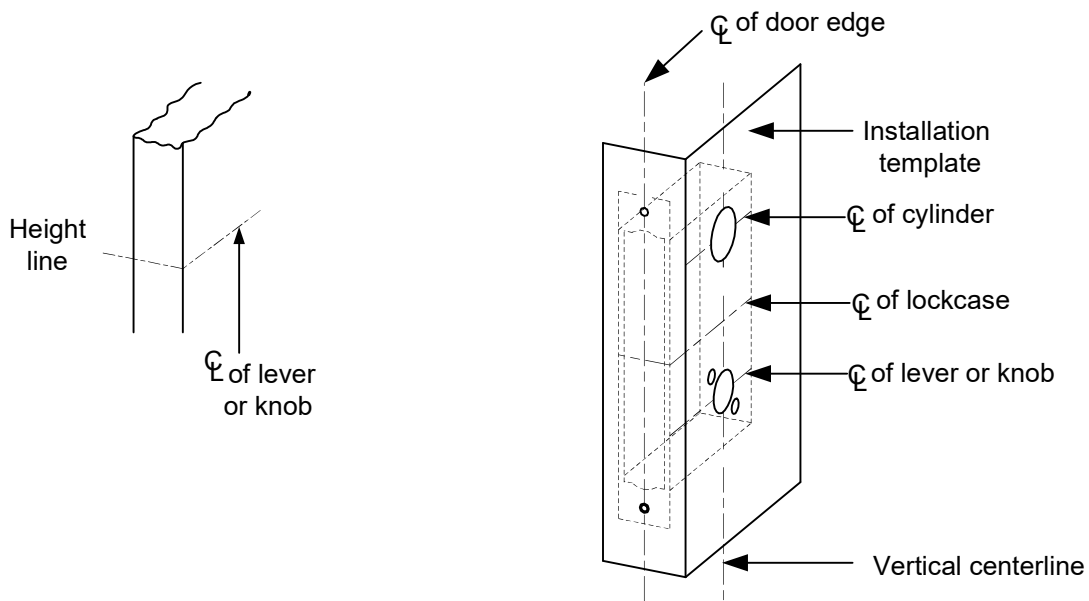


INSTALLATION INSTRUCTIONS

Z7835 PRO SERIES 24VDC LOCKED OUTSIDE / INSIDE MORTISE LOCKSET

A. Door Preparation:

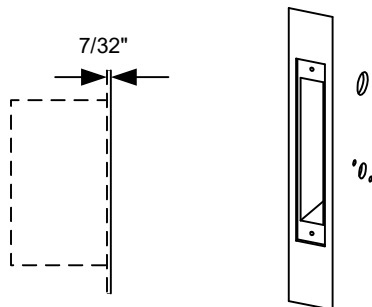
1. Measure desired height from finished floor, mark a horizontal line on door and door edge.
2. Align template on edge of door with applicable horizontal at height line. Check the chart for drilling trim holes on template and mark only holes for lock function being installed.



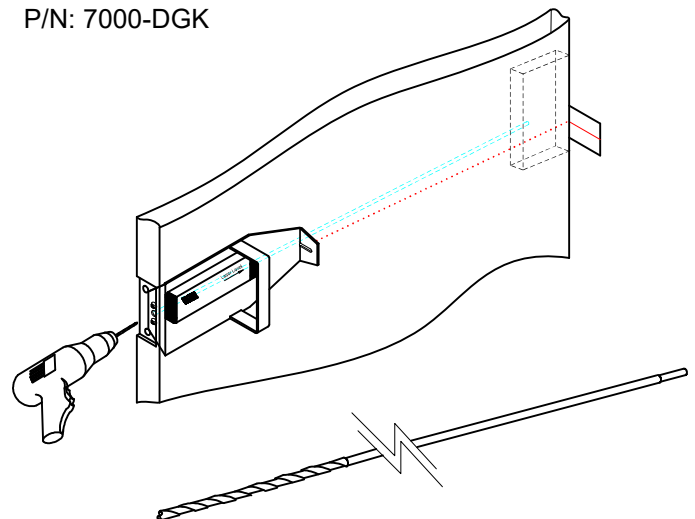
3. Mortise door edge according to measurements on installation template and drill proper holes for trim.
4. Recess for face plate, the dimension is:
L 8-1/32" x W 1-5/16" x D 7/32".

Wire Raceway suggested for woo doors.

Optional:
SDC Door Core Drill Guide Kit
P/N: 7000-DGK

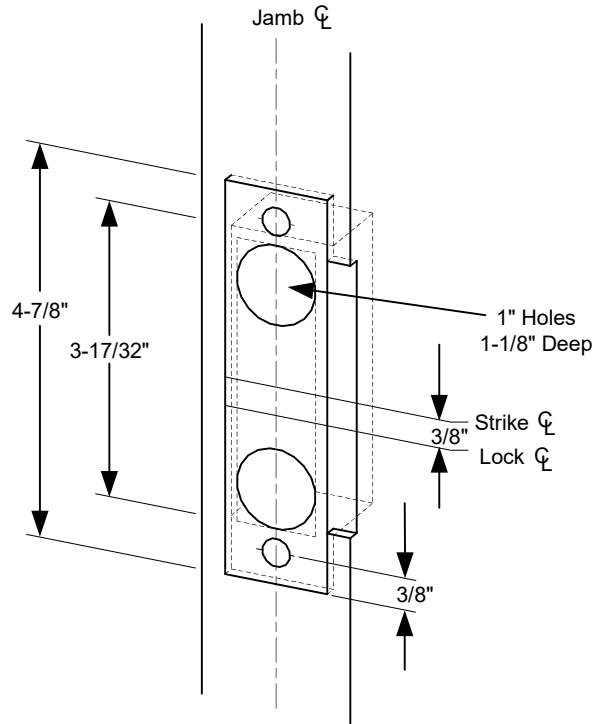


Note:
Rose door prep shown as example.
Escutcheon door prep would differ.



B. Strike Installation:

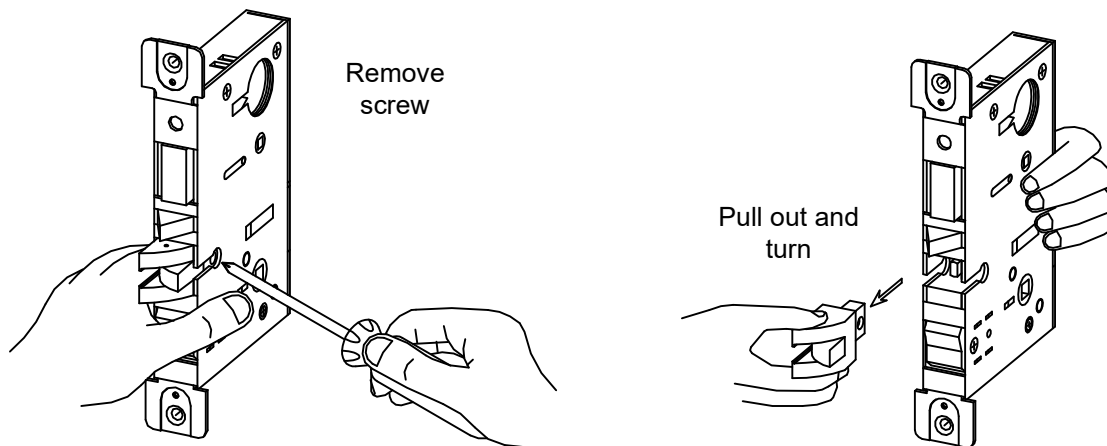
1. Align strike template on jamb. Be sure to keep 3/8" distance between lock centerline and strike centerline. Recess 5/32" for flush fit of strike and dust box.
2. Mortise jamb according to measurement of strike template. Then fit strike and dust box into frame and secure into place with supplied screws.



C. Install Lockcase

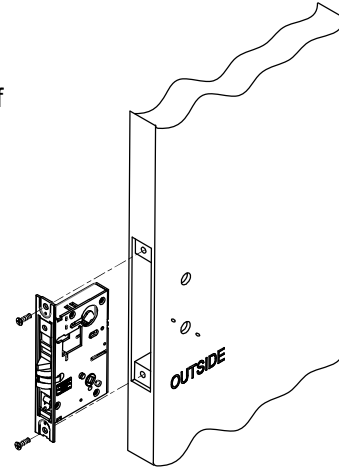
Instructions for changing latchbolt handing (From LH to LHR or RH to RHR):

1. Change latchbolt handing.
If the hand of the latchbolt doesn't match the door hand, remove the fixing screw and pull the latchbolt out from lock case. Turn the latchbolt 180 ° to change the handling. Position latchbolt back, into case and fasten it.



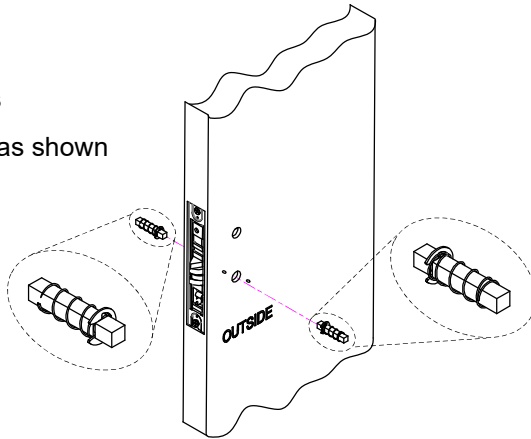
C. Install Lockcase (Continued)

3. Connect wires as shown on the lock cover diagram (Or refer to page 5 of instructions.)
4. Insert lockcase into mortise cut-out and fasten screws to door.



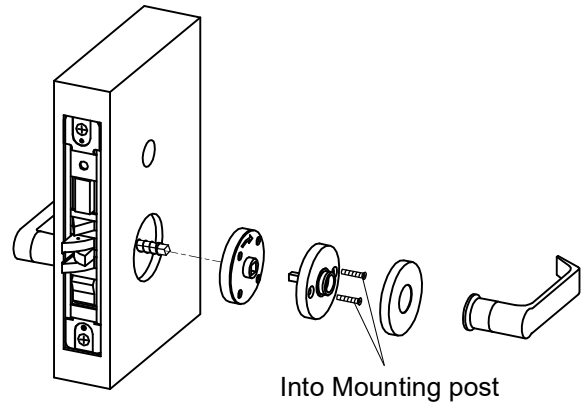
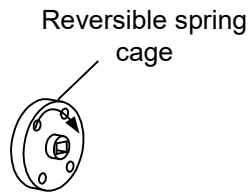
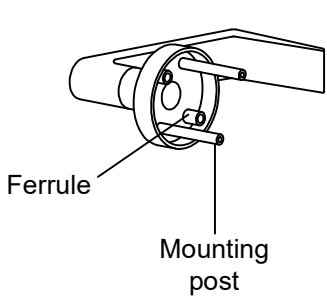
D. Install Spindles

1. Insert spindles as shown

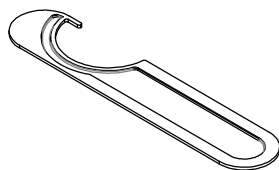


E. Install lever trim

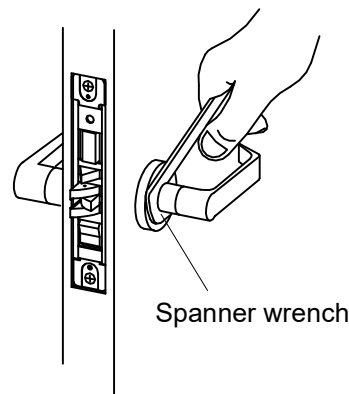
1. Place the reversible spring cage onto the ferrules with arrow pointing in direction of lever rotation.
2. Install outside trim with mounting posts through door and position lever onto the spindle.
3. Install inside spring cage onto the spindle with the arrow pointing in the direction of inside lever rotation.
4. Install inside mounting plate onto spindle. Tighten with provided screw.
5. Cap inside rose over mounting plate.



6. Screw inside lever into position and tighten lever collar with supplied spanner wrench.



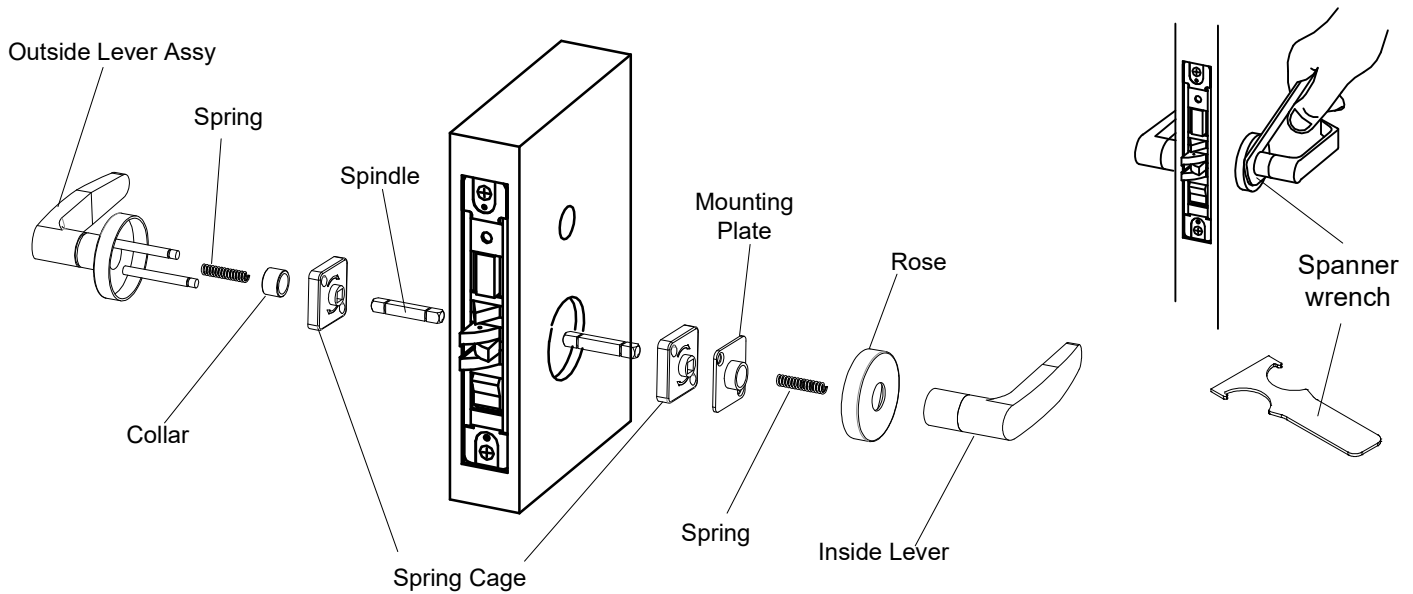
Spanner wrench



Spanner wrench

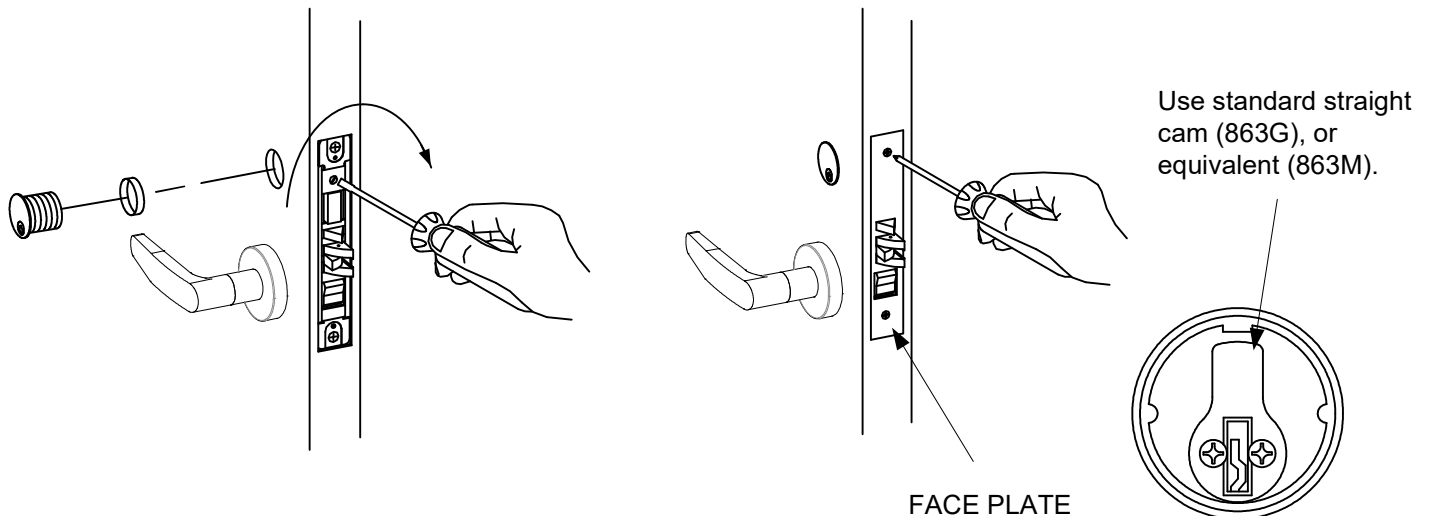
E. Install for 07 lever trim

1. Place the spring, collar and then reversible spring cage onto the outside lever assembly with arrows pointing in direction of lever rotation. Insert spindle into hub of lock case.
2. Install outside lever assembly with mounting posts through door and position lever assembly onto the spindle.
3. Install inside spring cage onto the spindle with the arrows pointing in the direction of inside lever rotation.
4. Install inside mounting plate over spindle and onto the mounting posts of outside assembly. Tighten with provided screws.
5. Cap inside rose over mounting plate and insert second spring.
6. Screw inside lever into position and tighten lever collar with the supplied spanner wrench.



F. Install Cylinder and Armor Face Plate

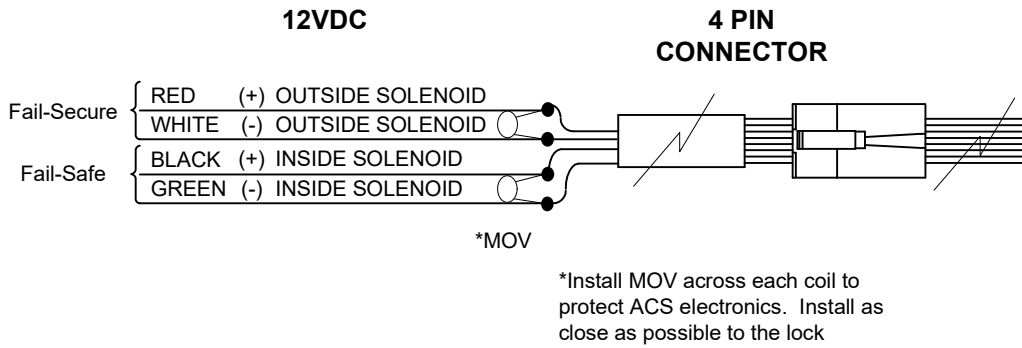
1. Screw cylinder into threaded hole of the lock case.
2. Tighten the set screw against cylinder(s) by turning clockwise as shown.
3. Install face plate onto the lock case and fasten with supplied screw.





INSTALLATION WIRE DIAGRAM Model Z7835 Series 24VDC ONLY

TYPICAL WIRING (NO OPTIONS)



WIRING WITH OPTIONS

