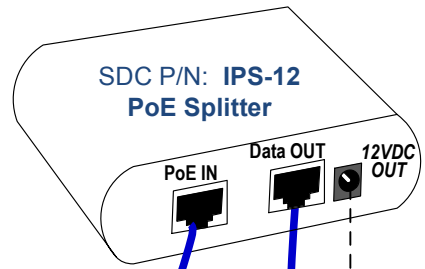
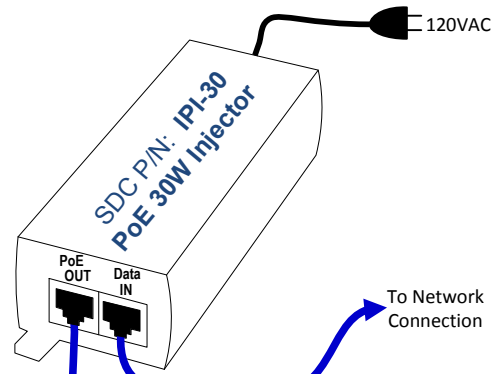
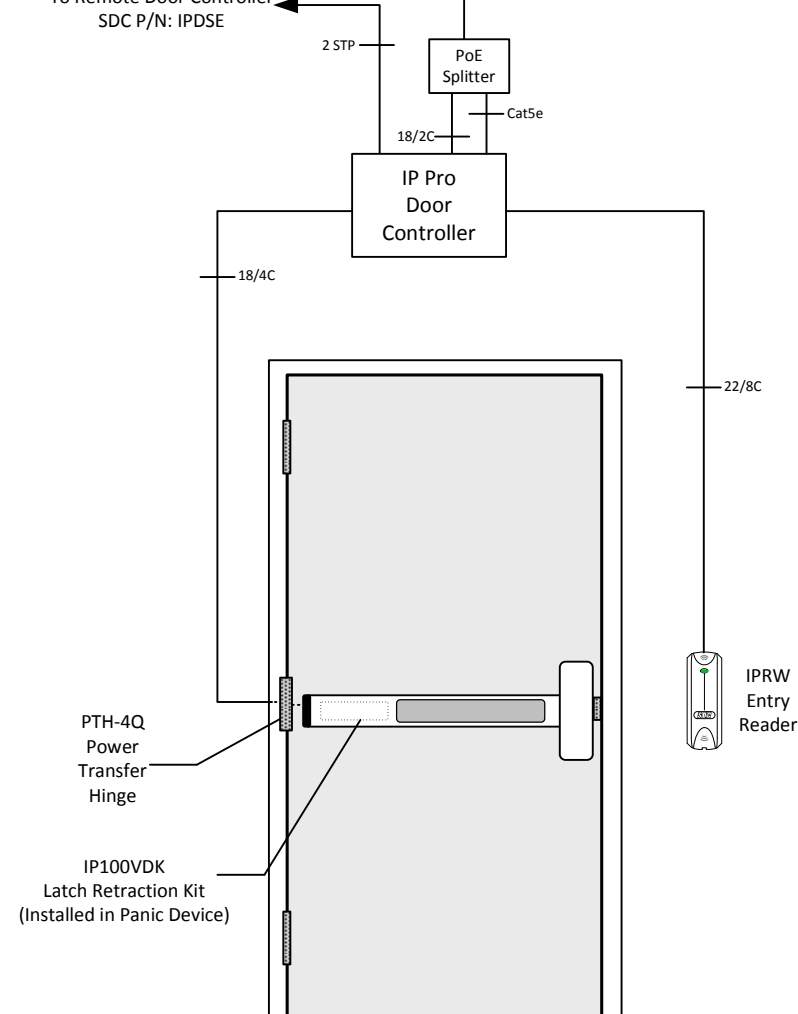
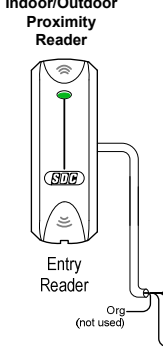


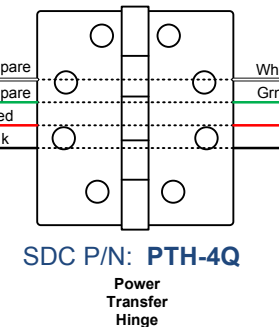
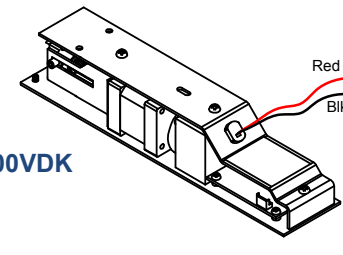
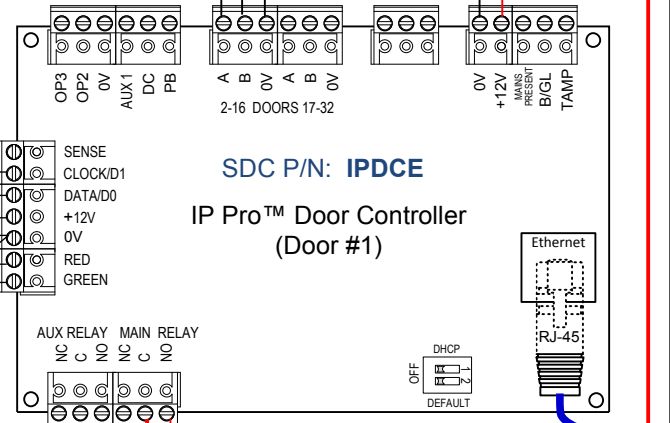
To Remote Door Controller
SDC P/N: IPDSE



SDC P/N: IPRW
Indoor/Outdoor
Proximity
Reader



To 2nd Door Controller
SDC P/N: IPDSE



- GENERAL NOTES:**
- (1) ALL LOW VOLTAGE SIGNAL WIRING SHALL BE 18-GAUGE MINIMUM. THE MINIMUM INDUCTIVE LOAD (LOCK) POWER WIRE GAUGE SHALL BE DETERMINED PER THE SDC WIRE GAUGE CHART. ALL WIRING (SINGLE OR MULTI-CONDUCTOR) SHALL BE COLOR CODED WITHOUT SPLICES. A MINIMUM OF TWO SPARE CONDUCTORS IS RECOMMENDED.
 - (2) SPECIFY VOLTAGE WHEN ORDERING PRODUCTS. VOLTAGE IS NOT SPECIFIED ON THIS WIRE DIAGRAM, BE SURE ALL PRODUCTS ARE VOLTAGE COMPATIBLE.
 - (3) ALL WIRING MUST CONFORM TO NATIONAL, STATE AND LOCAL CODES.
 - (4) ALWAYS CONSULT WITH THE AUTHORITY HAVING JURISDICTION (AHJ) BEFORE INSTALLATION.
 - (5) WHERE REQUIRED BY CODE, CONNECT FAILSAFE SYSTEMS TO THE LOCAL FIRE LIFE SAFETY SYSTEM FOR EMERGENCY RELEASE.

© 2015 Security Door Controls Printed in U.S.A



Security Door Controls
801 Avenida Acaso
Camarillo, CA 93012
t 805.494.0622 ~ f 805.494.8861
www.sdcsecurity.com

NOTE: ALL WIRING MUST BE REVIEWED AND APPROVED BY THE PROJECT ENGINEER ASSIGNED TO THE LOCATION FOR ITS CORRECTNESS AND SUITABILITY FOR THE APPLICATION IN WHICH THE EQUIPMENT IS INSTALLED AND OPERATED. ALL WIRING MUST CONFORM TO NATIONAL, STATE, AND LOCAL CODES FOR CLASS 2 FIRE PROTECTION AND CONTROL DEVICES.

PROJECT NAME: IP Pro Applications	TITLE: PoE ELR Application	SO NO.:	REV
LOCATION.:	DIST.:	CONTACT: service@sdsecurity.com	DATE: 04/01/15
		DRAWN BY:	DWG. NO.:
			SDC Library
			Page - of -