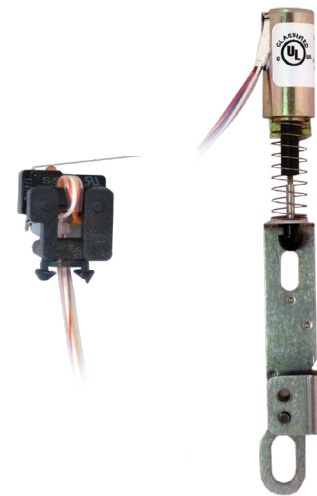


# SK Series

## Schlage L9000 Mortise Lock Field Electrification Kits



Convert mechanical locks into electric access controlled locks.

SDC's SK series field electrification kits for Schlage L9000 mortise locks allow for fast electrification of existing locks in the field. Failsafe and failsecure options are easily selected and can be changed in the field to suit any need.

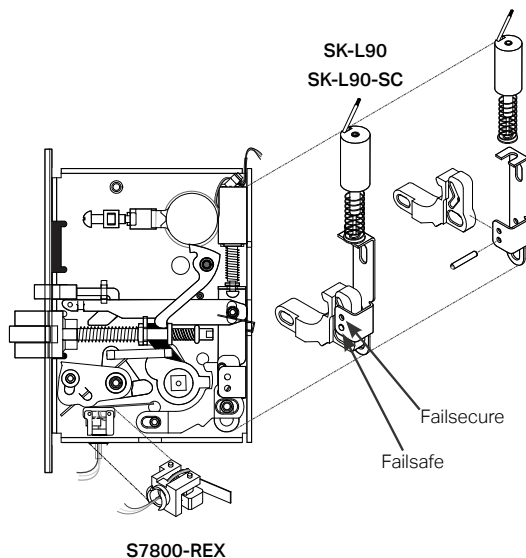
Field request-to-exit (REX) monitoring kits provide indication of inside lever operation for alarm shunt, remote annunciation or CCTV activation.

### MODELS

- SK-L90** Schlage L9070 Field Electrification Kit
- SK-L90-SC** Schlage L9080 Field Electrification Kit, Springcage Included
- S7800-REX** Schlage L9070/L9080 Field REX Monitoring Kit

### STANDARD FEATURES

- Field selectable operation
- Field selectable dual voltage



## SPECIFICATIONS


	<b>SK-L90</b>	<b>SK-L90-SC</b>	<b>S7800-REX</b>
<b>Weight</b>	1 lb	1 lb	1 lb
<b>Input</b>	12/24 VDC ± 10%	12/24 VDC ± 10%	-----
<b>Current Draw</b>	600 mA @ 12 VDC 300 mA @ 24 VDC	600 mA @ 12 VDC 300 mA @ 24 VDC	-----
<b>Contact</b>	-----	-----	SPDT 5 Amps @ 30 VDC Resistive

## CERTIFICATIONS

UL 10C Positive Pressure Fire Tests of Door Assemblies  
ULC-S104 Standard Method for Fire Tests of Door Assemblies

## HOW TO ORDER

### FOLLOW STEPS FOR ORDERING

 Designates optional step

#### 1| SPECIFY MODEL

- SK-L90** Schlage L9070 Field Electrification Kit
- SK-L90-SC** Schlage L9080 Field Electrification Kit, Springcage Included
- S7800-REX** Schlage L9070/L9080 Field REX Monitoring Kit

STEP NUMBER:	1
ORDERING EXAMPLE:	<b>SK-L90</b>