



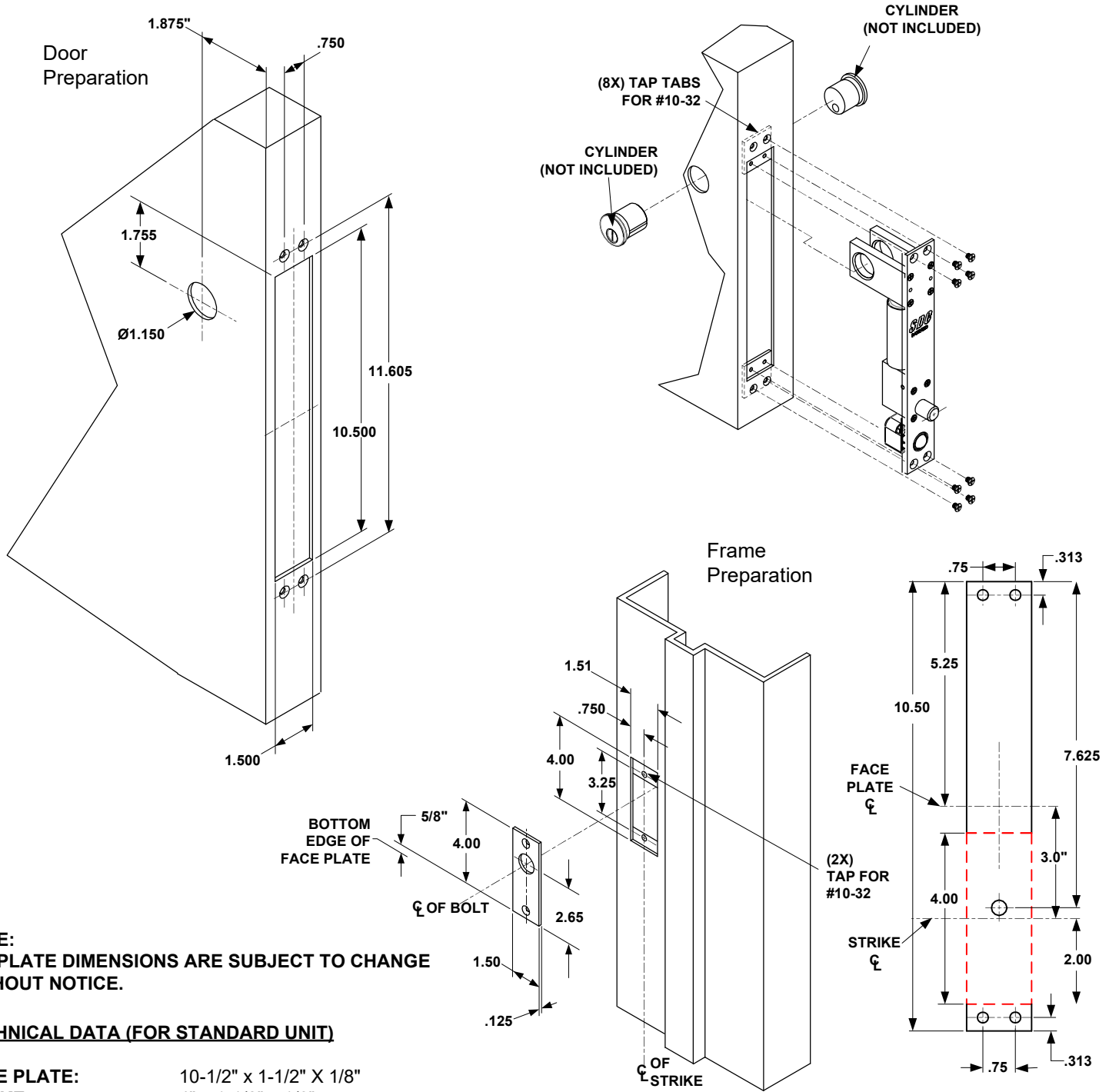
# INSTALLATION INSTRUCTIONS

## 1091ADDMR1

### (1.875 BACKSET)

#### BOLT LOCK MECHANICAL RELEASE

#### (DOOR MOUNT - DOUBLE CYLINDER)



**NOTE:**  
TEMPLATE DIMENSIONS ARE SUBJECT TO CHANGE  
WITHOUT NOTICE.

#### TECHNICAL DATA (FOR STANDARD UNIT)

<b>FACE PLATE:</b>	10-1/2" x 1-1/2" X 1/8"
<b>STRIKE:</b>	4" x 1-1/2" x 1/8"
<b>ID REQUIREMENTS:</b>	10-1/2" x 1-1/2" x 2-7/8"
<b>BOLT:</b>	5/8" DIA. STAINLESS STEEL
<b>BOLT THROW:</b>	3/4"
<b>BACK SET:</b>	1.875"

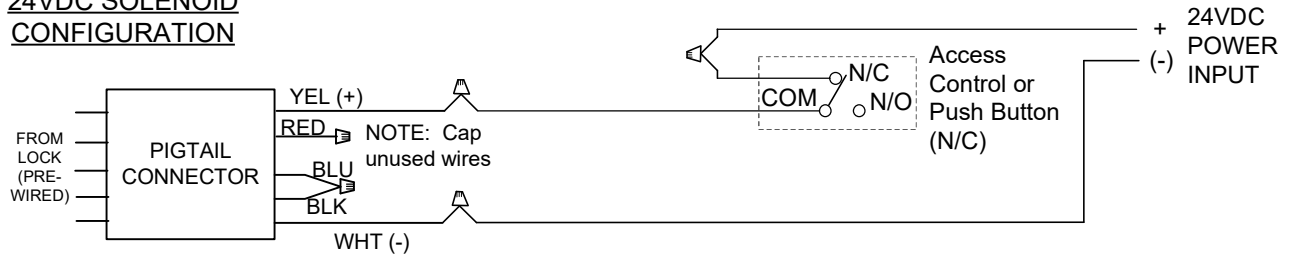
Any suggestions or comments to this instruction or product are welcome. Please contact us through our website or email [engineer@sdsecurity.com](mailto:engineer@sdsecurity.com)



## LOCK WIRING

Select 24VDC OR 12VDC Configuration, and use provided pigtail connector:

### 24VDC SOLENOID CONFIGURATION



### ELECTRICAL DATA:

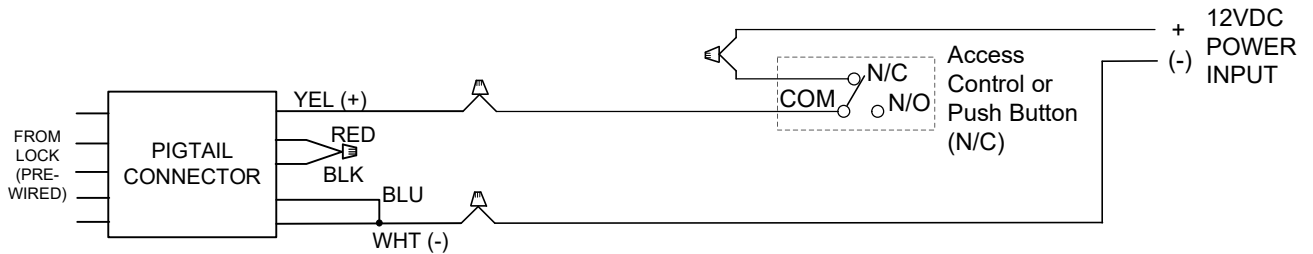
#### Dual Voltage Solenoid

12VDC @ .9 mA (max.)

24VDC @ .45 mA (max.)

Continuous Duty

### 12VDC SOLENOID CONFIGURATION

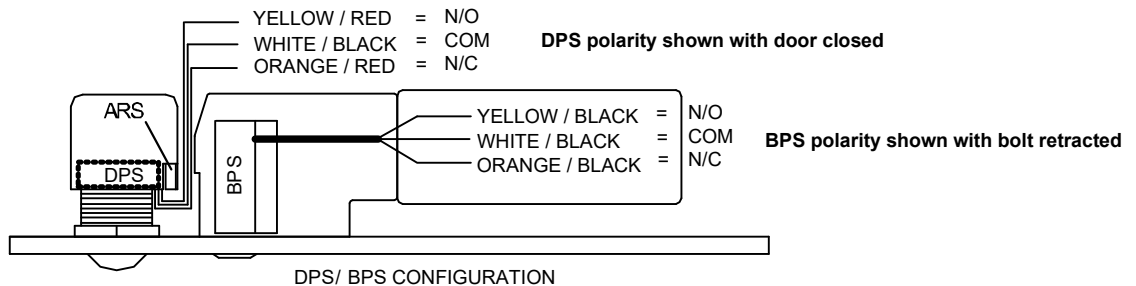


### OPTIONAL BOLT POSITION SENSOR (BPS-MAGNETIC)

B Indicates bolt locked or unlocked 5 Watt

### OPTIONAL DOOR POSITION SWITCH (DPS-MECHANICAL)

D Indicates door opened or closed 4A @ 30VDC (Resistive)



\*When both options are ordered the Common is shared