



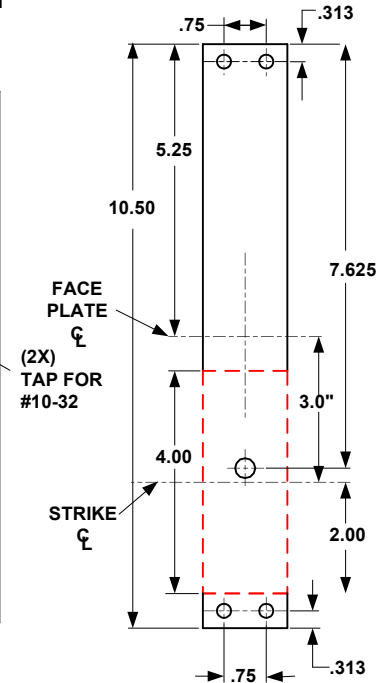
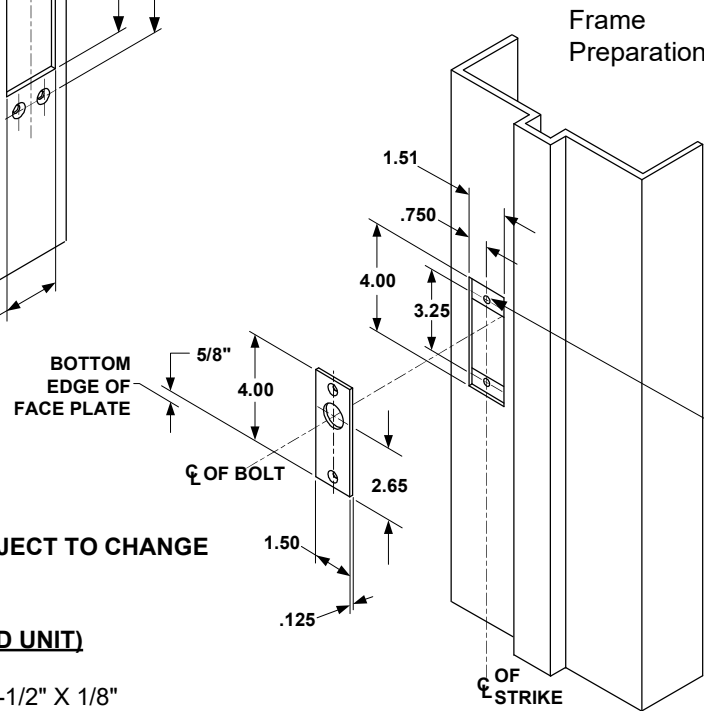
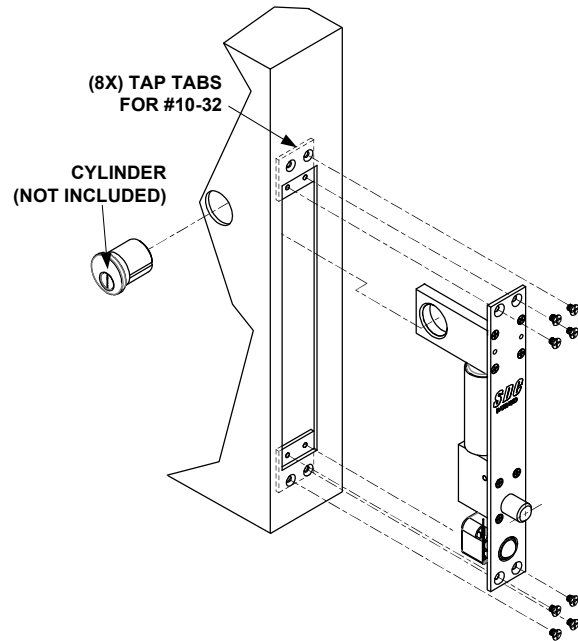
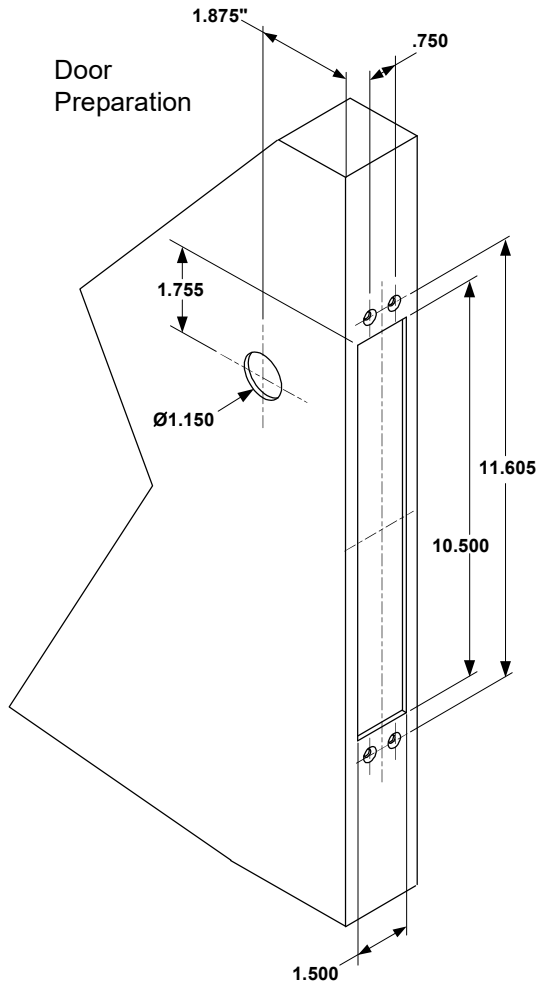
INSTALLATION INSTRUCTIONS

1091ADMR1

(1.875 BACKSET)

BOLT LOCK MECHANICAL RELEASE

(DOOR MOUNT - SINGLE CYLINDER)



NOTE:
TEMPLATE DIMENSIONS ARE SUBJECT TO CHANGE WITHOUT NOTICE.

TECHNICAL DATA (FOR STANDARD UNIT)

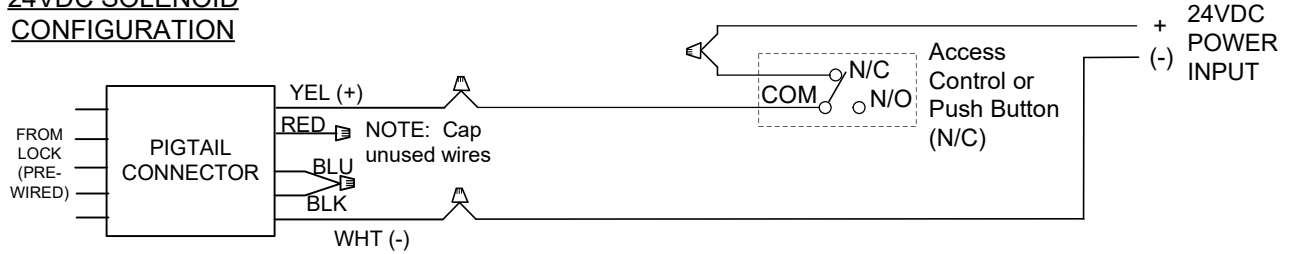
FACE PLATE:	10-1/2" x 1-1/2" X 1/8"
STRIKE:	4" x 1-1/2" x 1/8"
ID REQUIREMENTS:	10-1/2" x 1-1/2" x 2-7/8"
BOLT:	5/8" DIA. STAINLESS STEEL
BOLT THROW:	3/4"
BACK SET:	1.875"

Any suggestions or comments to this instruction or product are welcome. Please contact us through our website or email engineer@sdsecurity.com

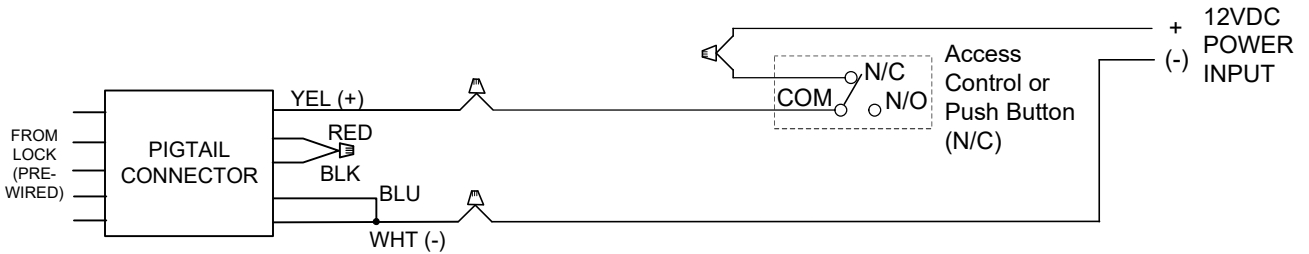
LOCK WIRING

Select 24VDC OR 12VDC Configuration, and use provided pigtail connector:

24VDC SOLENOID CONFIGURATION



12VDC SOLENOID CONFIGURATION



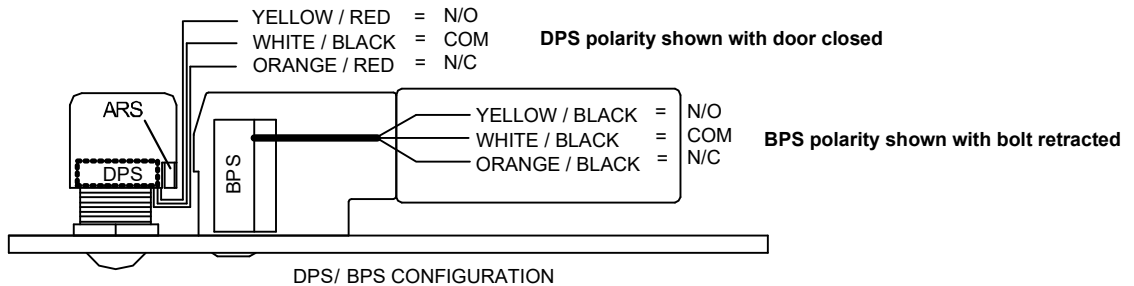
ELECTRICAL DATA:
Dual Voltage Solenoid
 12VDC@ .9 mA (max.)
 24VDC@ .45 mA (max.)
 Continuous Duty

OPTIONAL BOLT POSITION SENSOR (BPS-MAGNETIC)

B Indicates bolt locked or unlocked 5 Watt

OPTIONAL DOOR POSITION SWITCH (DPS-MECHANICAL)

D Indicates door opened or closed 4A @ 30VDC (Resistive)



*When both options are ordered the Common is shared