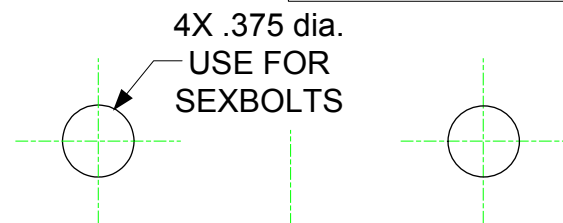


TRIM MOUNTING HOLES;

1. Drill 7/16" dia. Thru Holes 4X.

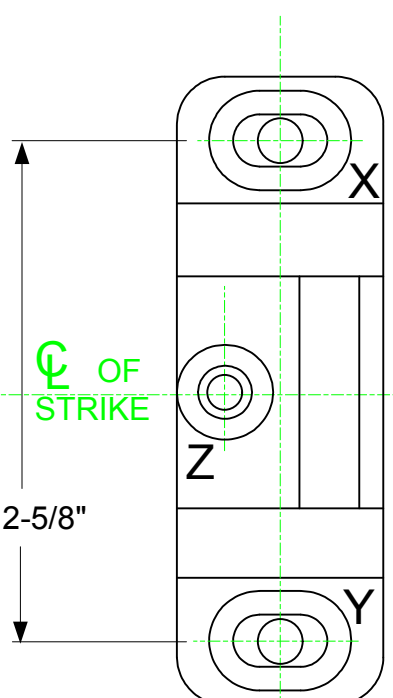
THIS SIDE UP FOR LHR DOOR



STRIKE MOUNTING HOLES:

1. Drill .201 dia. (#7 Drill) holes 2X.
2. Use #1/4-20 Tap

ADJUST THE STRIKE FOR PROPER ALIGNMENT WITH THE LATCH BOLT. LOCK STRIKE IN PLACE BY TIGHTENING THE SCREWS AT THE "X" & "Y" POSITIONS USING A 3/16" dia. DRILL. DRILL THE 3rd HOLE AT THE "Z" POSITION AND TAP WITH A #12-24 TAP. ATTACH 3rd SCREW.



STRIKE

INSIDE MOUNTING HOLES

For Metal Door Surface Application:

1. Drill .201 dia. holes as marked
2. Use #1/4-20 tap.

For Sex Bolt Application:

- Metal Door: .280" Drill Inside
3/8" Drill Outside
- Wood Door: 3/8" Drill Thru
(Suggested to fix Device Chassis by Sex Bolt)

4X .201 dia. THRU

BACKSET 2-7/16" TO FACE OF STOP

TO FACE OF STOP BACKSET 2-7/16"

AFTER EXIT DEVICE IS CUT AND MOUNTED, INSTALL END CAP BRACKET CENTERED ON DEVICE CL

3-11/16"

1/2" dia. CLEARANCE

OPTIONAL 1/2" dia. WIRE RUN

DEVICE CL

1/2" dia. THRU

TO FACE OF STOP 2-7/16"

2-7/16" TO FACE OF STOP

OUTSIDE

THIS SIDE UP FOR RHR DOOR

INSIDE

3-11/16"

40"

Watch for special mounting height requirements

FINISHED FLOOR



Security Door Controls

801 Avenida Acaso, Camarillo, Ca. 93012
 • (805) 494-0622 • Fax: (805) 494-8861
 www.sdcsecurity.com
 E-mail: service@sdsecurity.com

TEMPLATE-S6100
EK08/GK08 & EK14/GK14
 Devices covered by this template:
 Panic Rim Device and Fire Rim Device.