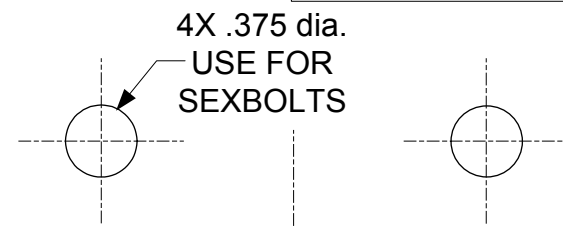


**TRIM MOUNTING HOLES;**

1. Drill 7/16" dia. Thru Holes 4X.

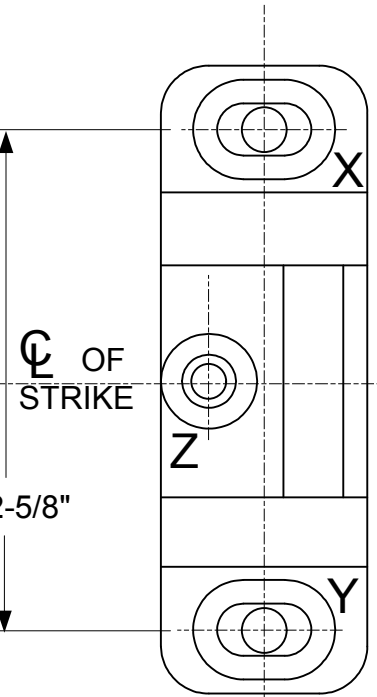
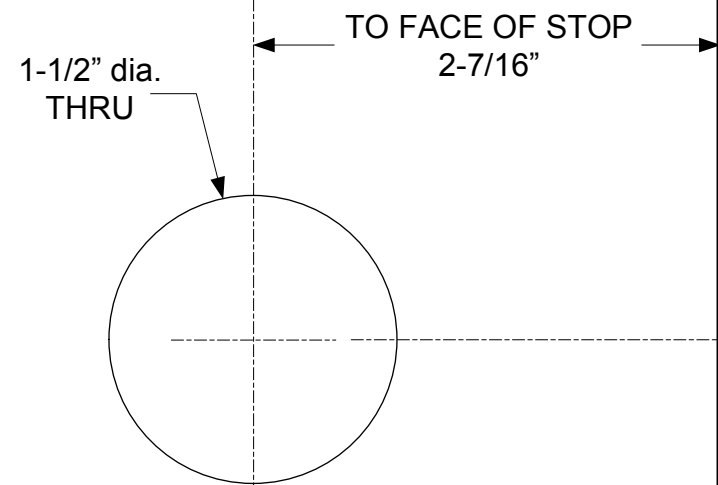
THIS SIDE UP FOR LHR DOOR



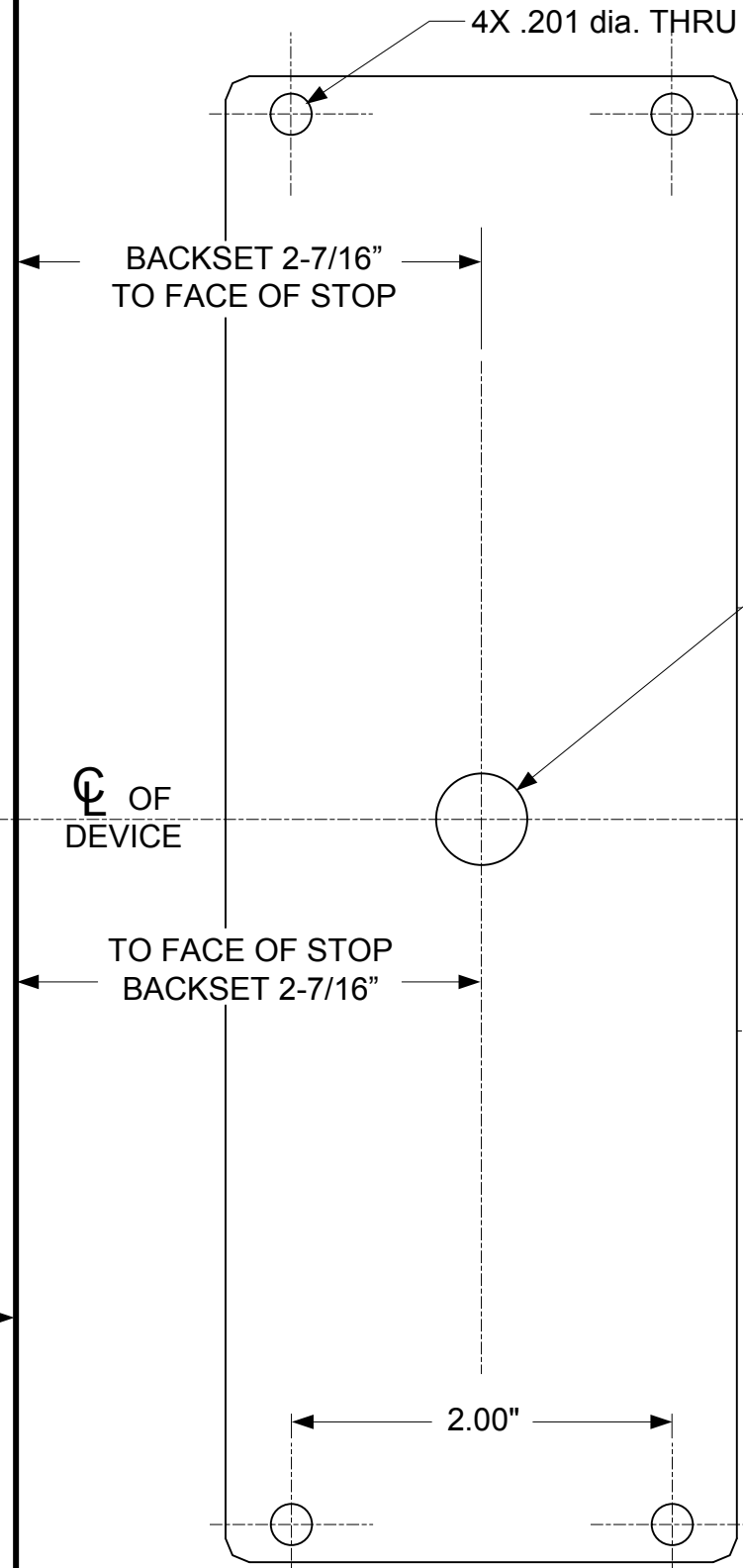
**STRIKE MOUNTING HOLES:**

1. Drill .201 dia. (#7 Drill) holes 2X.
2. Use #1/4-20 Tap

ADJUST THE STRIKE FOR PROPER ALIGNMENT WITH THE LATCH BOLT. LOCK STRIKE IN PLACE BY TIGHTENING THE SCREWS AT THE "X" & "Y" POSITIONS USING A 3/16" dia. DRILL. DRILL THE 3rd HOLE AT THE "Z" POSITION AND TAP WITH A #12-24 TAP. ATTACH 3rd SCREW.



**STRIKE**



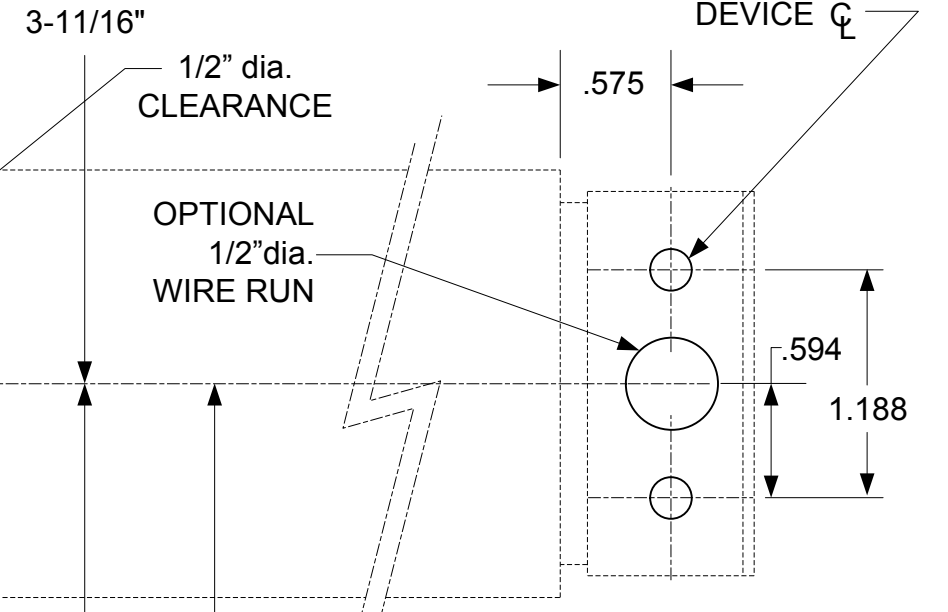
**INSIDE**

**INSIDE MOUNTING HOLES**

- For Metal Door Surface Application:
1. Drill .201 dia. holes as marked
  2. Use #1/4-20 tap.

For Sex Bolt Application:  
Metal Door: .280" Drill Inside  
3/8" Drill Outside  
Wood Door: 3/8" Drill Thru  
(Suggested to fix Device Chassis by Sex Bolt)

AFTER EXIT DEVICE IS CUT AND MOUNTED, INSTALL END CAP BRACKET CENTERED ON DEVICE CL



801 Avenida Acaso, Camarillo, Ca. 93012  
• (805) 494-0622 • Fax: (805) 494-8861  
www.sdcsecurity.com  
E-mail: service@sdsecurity.com

**TEMPLATE-S6100 EKE/GKE  
ELECTRIC TRIM**  
Devices covered by this template:  
Panic Rim Device and Fire Rim Device.

Watch for special mounting height requirements

FINISHED FLOOR

**OUTSIDE**

THIS SIDE UP FOR RHR DOOR