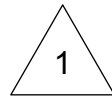
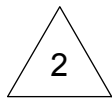


FOR ESCUTCHEON TRIM ONLY



FOR ROSE TRIM ONLY



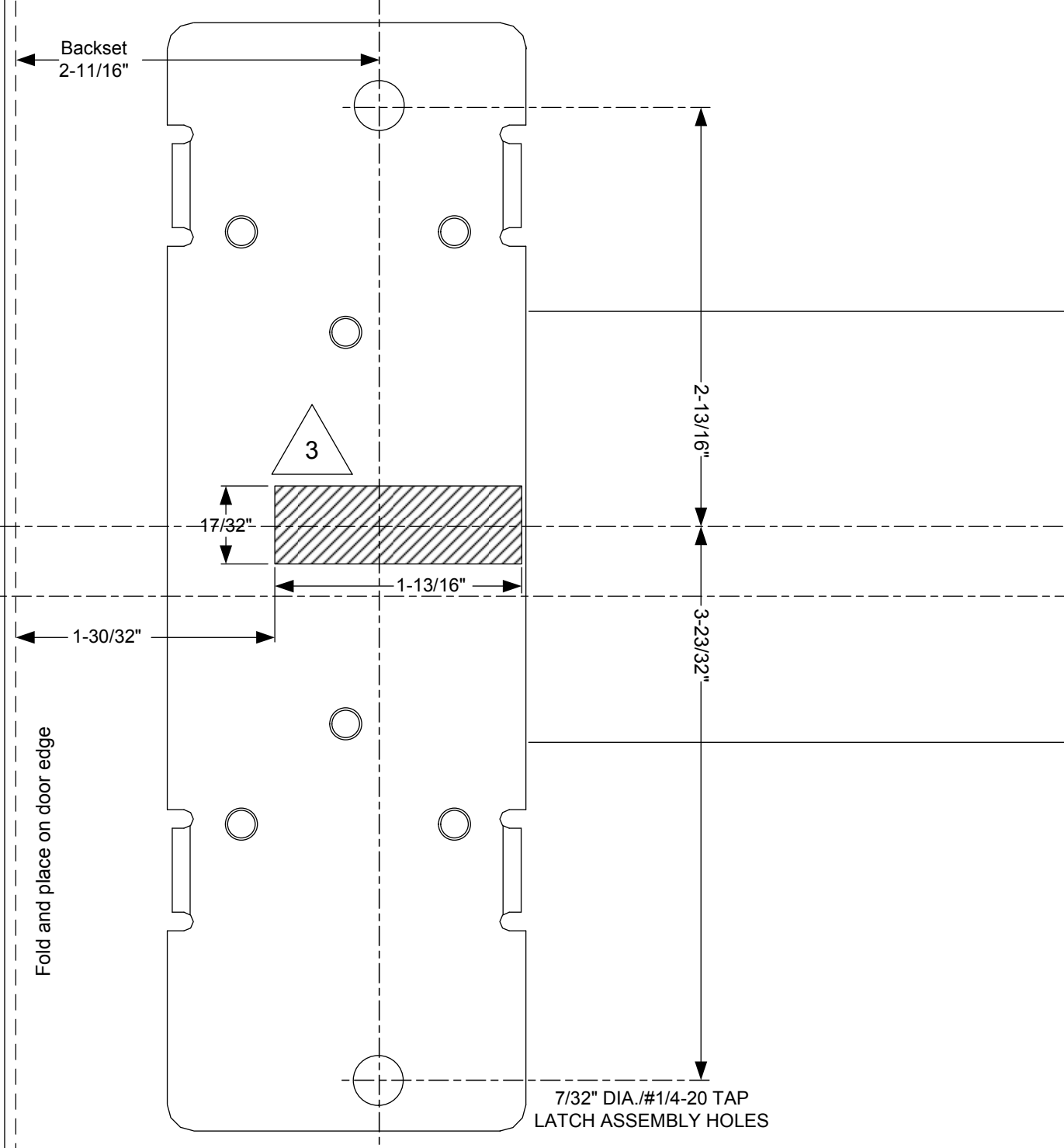
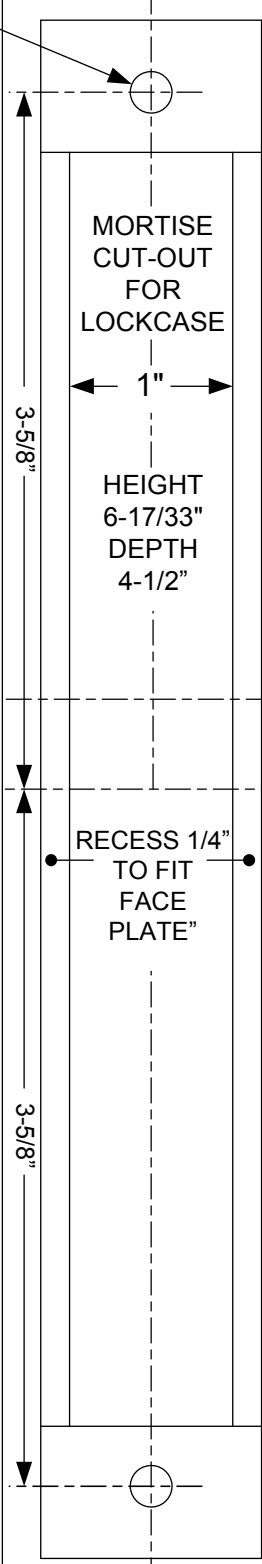
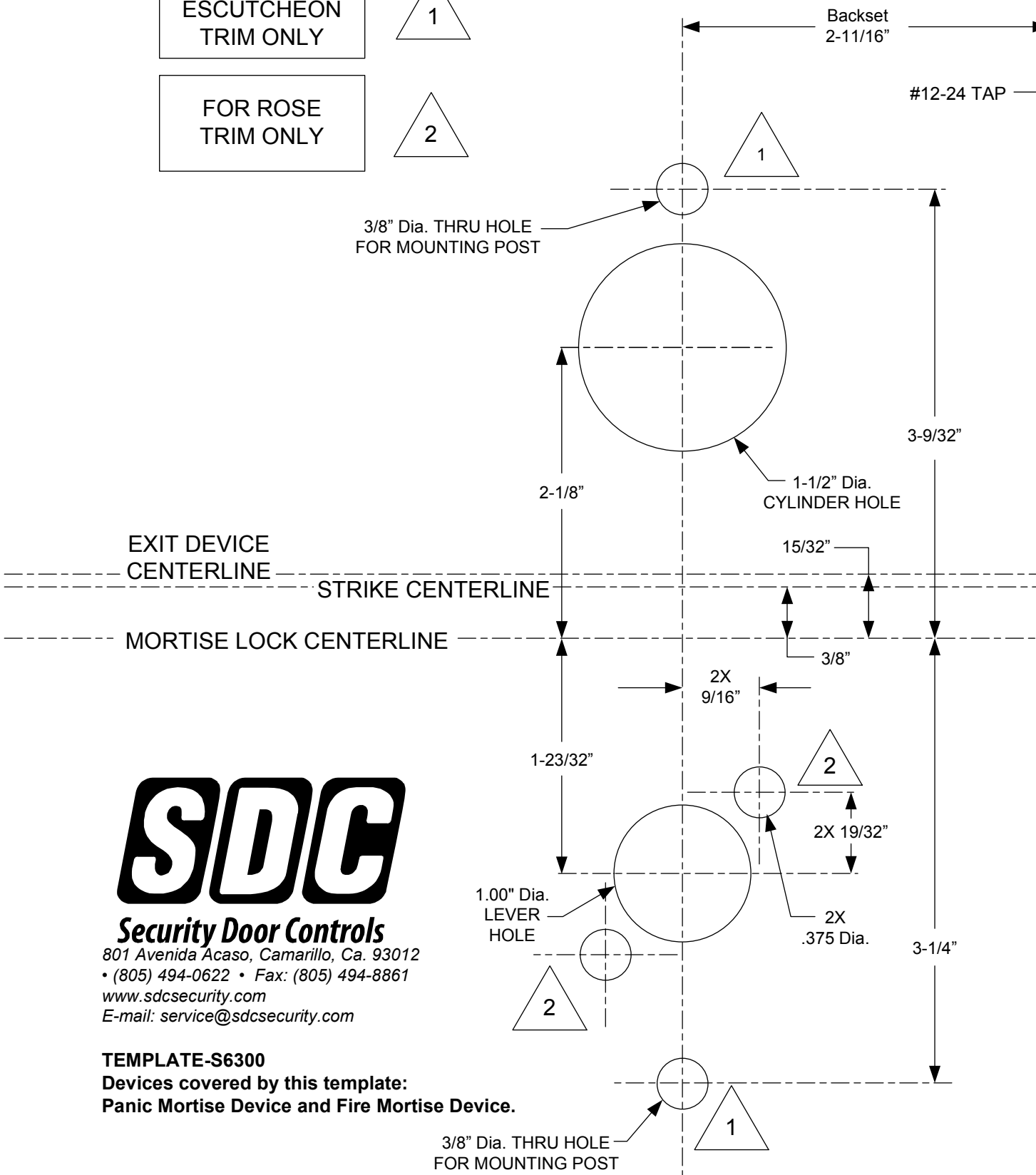
NOTE: This template is for 1-3/4" thick door. For thicker doors, tear off here and locate ϕ of lock on ϕ of edge of door.

TEMPLATE

Mortise Lock Exit Devices
Dimensional only. Not to scale.

FOR LHR DOOR

FOR OPPOSITE HAND
PLEASE SEE REVERSE SIDE



SDC
Security Door Controls
801 Avenida Acaso, Camarillo, Ca. 93012
• (805) 494-0622 • Fax: (805) 494-8861
www.sdcsecurity.com
E-mail: service@sdsecurity.com

TEMPLATE-S6300
Devices covered by this template:
Panic Mortise Device and Fire Mortise Device.

OUTSIDE FACE OF DOOR

INSIDE FACE OF DOOR

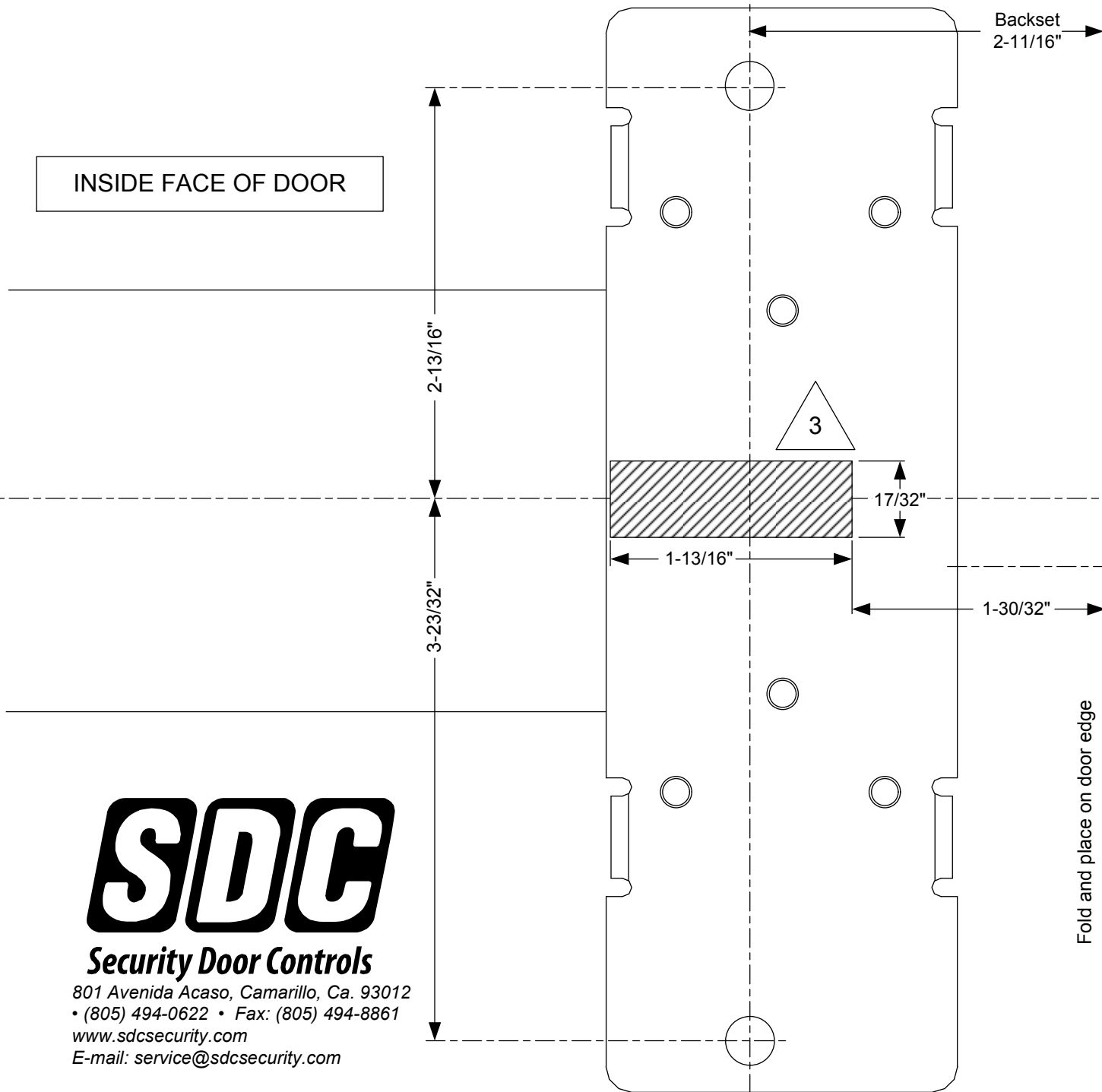
CUT-OUT IS FOR DEVICE SIDE ONLY (THRU ONE WALL)

FOR RHR DOOR

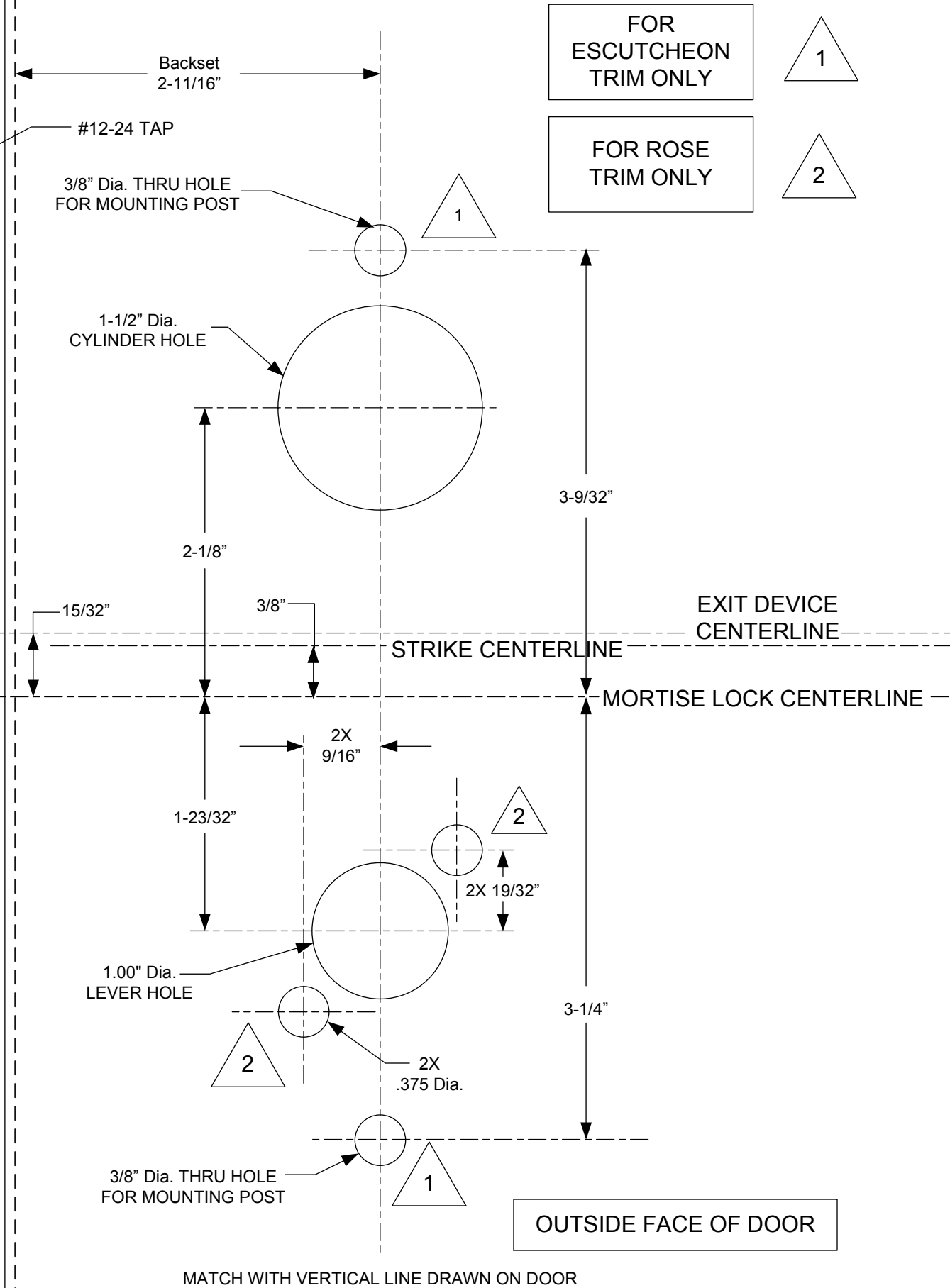
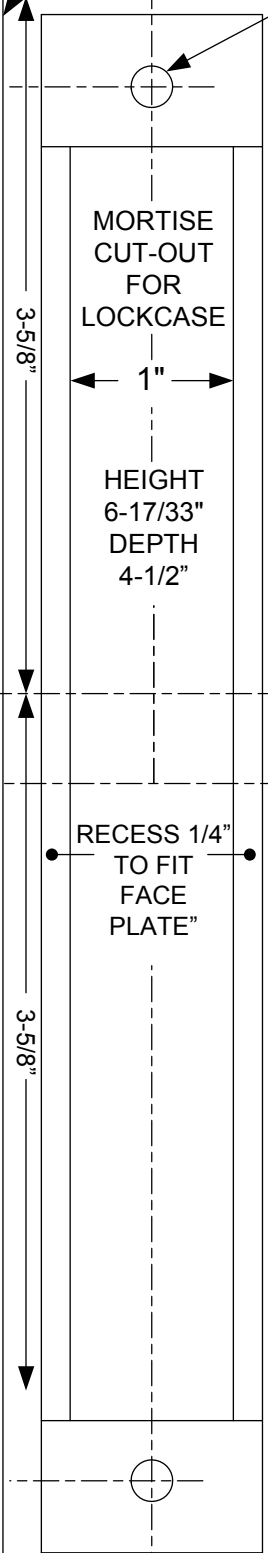
FOR OPPOSITE HAND
PLEASE SEE REVERSE SIDE

TEMPLATE

Mortise Lock Exit Devices
Dimensional only. Not to scale.



NOTE:
This template is for
1-3/4" thick door.
For thicker doors,
tear off here and
locate ϕ of lock on ϕ
of edge of door.



FOR
ESCUTCHEON
TRIM ONLY 1

FOR ROSE
TRIM ONLY 2

CUT-OUT IS FOR
DEVICE SIDE ONLY
(THRU ONE WALL) 3

OUTSIDE FACE OF DOOR



Security Door Controls

801 Avenida Acaso, Camarillo, Ca. 93012
• (805) 494-0622 • Fax: (805) 494-8861
www.sdcsecurity.com
E-mail: service@sdsecurity.com

TEMPLATE-S6300
Devices covered by this template:
Panic Mortise Device and Fire Mortise Device.