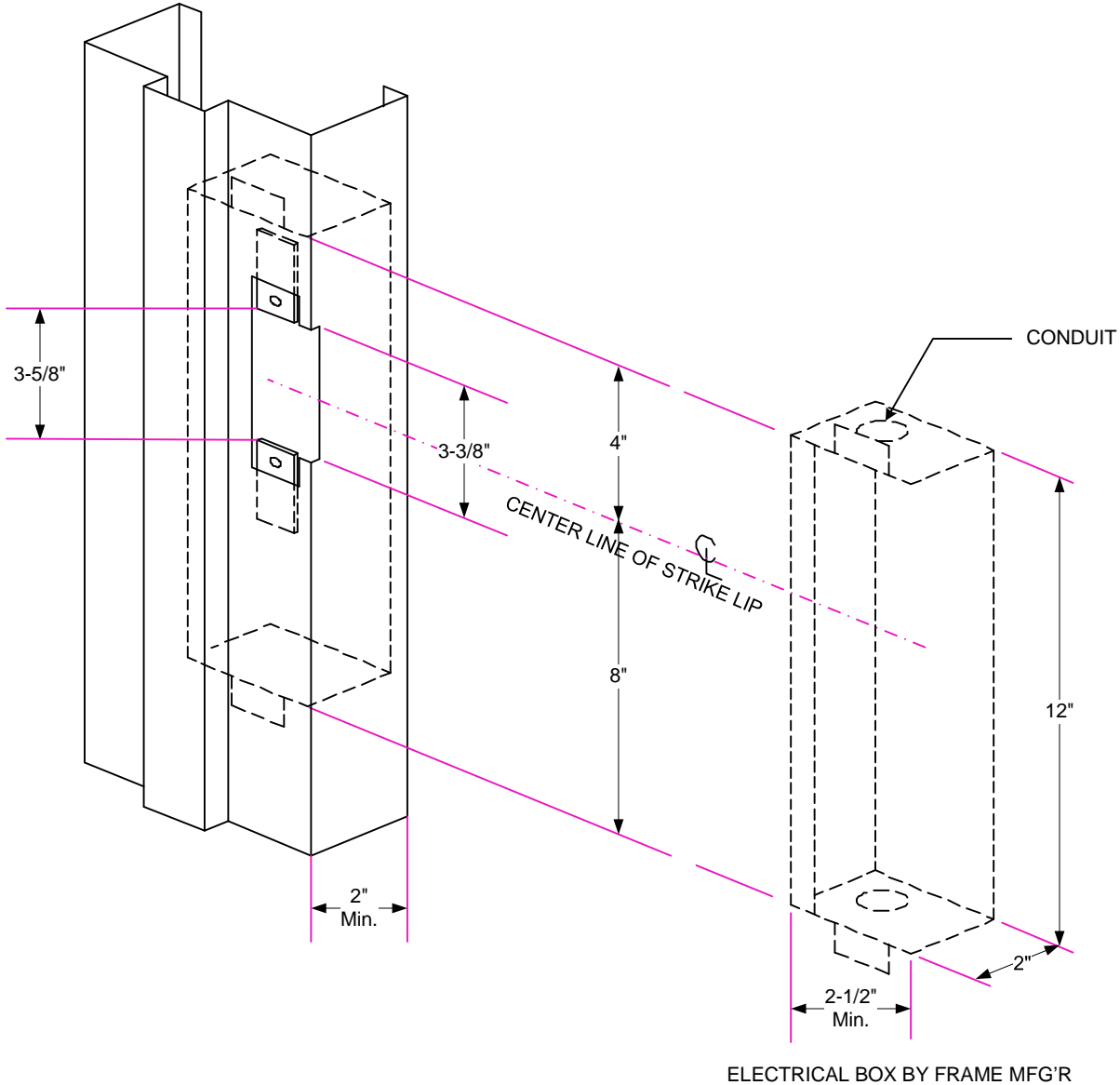




ZR750 HiTOWER PRO SERIES 2" METAL FRAME ACTUATOR PREP For Actuator Models: A, B & C

DIMENSIONAL REFERENCE ONLY



NOTE:

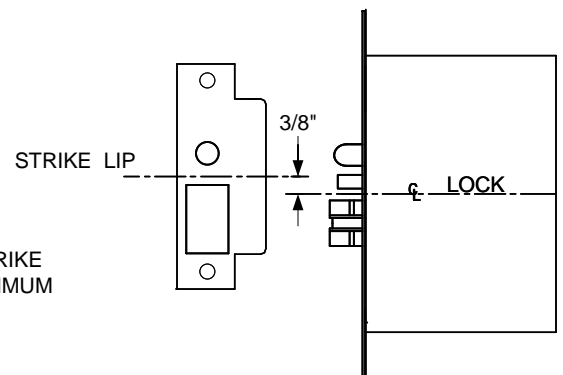
- CONCRETE / MASONRY DETAIL SHOWN.
- FOR STRIKE RELATION TO LOCK SEE IMAGE TO THE RIGHT.
- MINIMUM FRAME FACE 2' .

IMPORTANT

Details show space requirements for electric controller box. Allowances for different wall construction materials must be taken into consideration. Install conduit connectors in top of box before welding to frame.

NOTE:

THE $3\text{-}5/8\text{'}$ CLEARANCE BETWEEN THE STRIKE REINFORCEMENT TABS IS CRITICAL *MAXIMUM THICKNESS OF TABS $1/8\text{'}$



REFER TO Z7500 DOOR & LEVER DETAIL FOR LOCK INSTALL

Any suggestions or comments to this instruction or product are welcome. Please contact us through our website or email engineer@sdsecurity.com