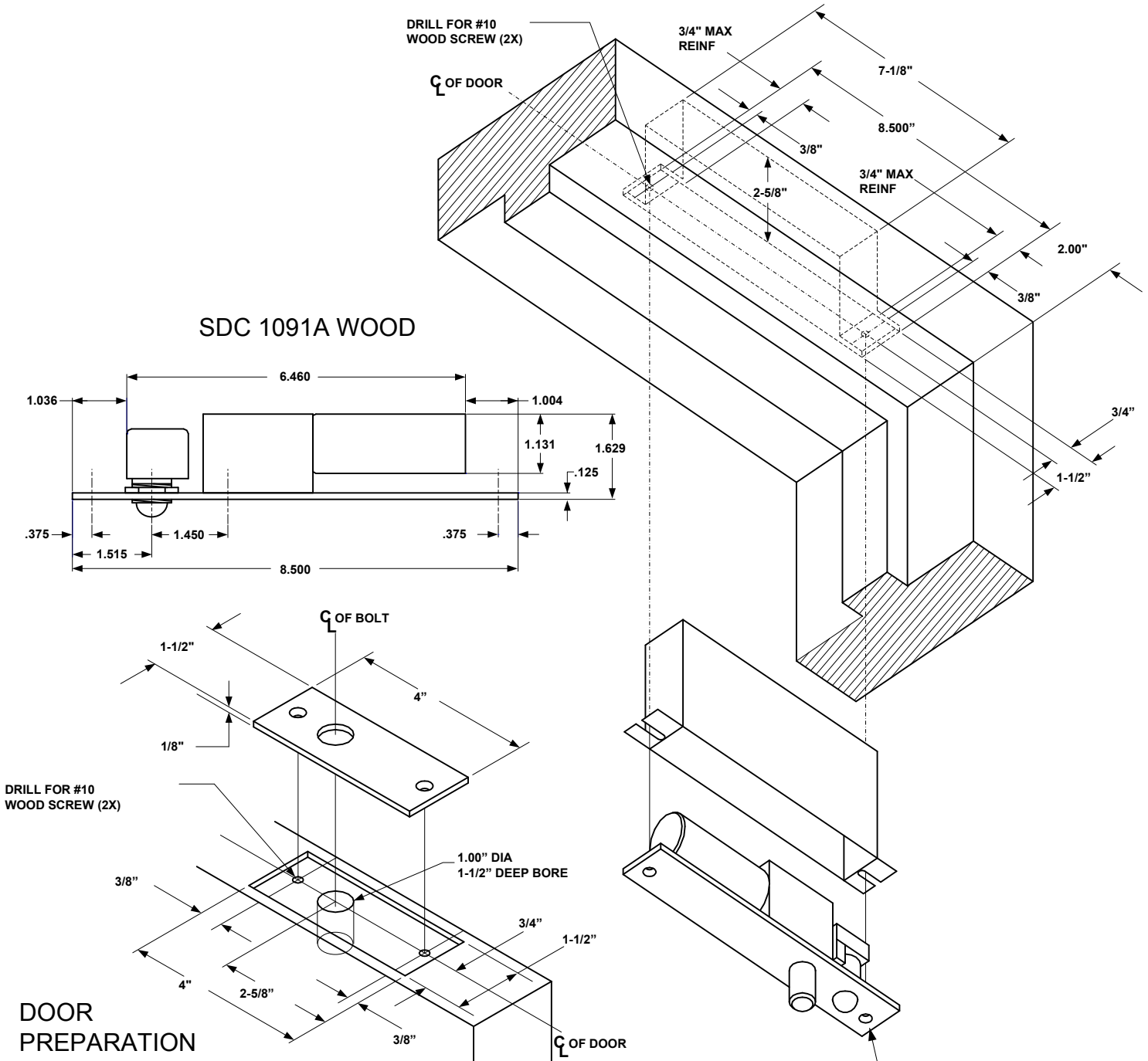
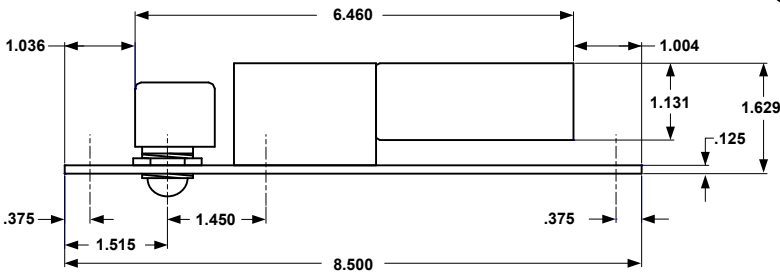


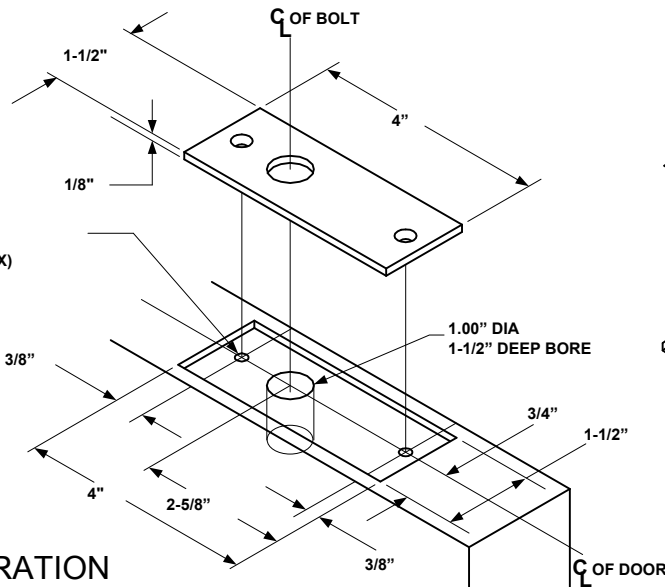
NOTE: ELECTRICAL BOX #1000EB REQUIRED FOR WOOD APPLICATION.
NOTE: TEMPLATE DIMENSIONS ARE SUBJECT TO CHANGE WITHOUT NOTICE.



SDC 1091A WOOD



DRILL FOR #10 WOOD SCREW (2X)



DOOR PREPARATION

TECHNICAL DATA (FOR STANDARD UNIT)
FACE PLATE: 8-1/2" x 1-1/2" x 1/8"
STRIKE: 4" x 1-1/2" x 1/8"
ID REQUIREMENTS: 7-1/8" x 1-1/2" x 2-5/8"
BOLT: 5/8" DIA. SOLID STAINLESS STEEL
BOLT THROW: 3/4"

WHEN INSTALLED VERTICALLY, THIS END UP.
 WHEN INSTALLED HORIZONTALLY THIS END NEAR LOCK STILE

	Security Door Controls
	801 Avenida Acaso,
	Camarillo, CA 93012
	(805) 494-0622
	Fax: (805) 494-8861
www.sdcsecurity.com	
E-mail: service@sdcsecurity.com	

**TEMPLATE
1091A WOOD**

ORIG. DATE
12/2/99

DRAWING
2853